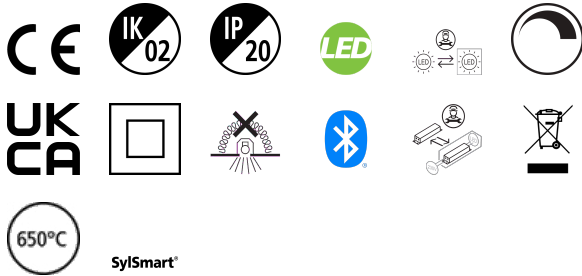


Equinox 165 1925 LUMI HCL TW SSC01D BLACK

Item No: 2059961

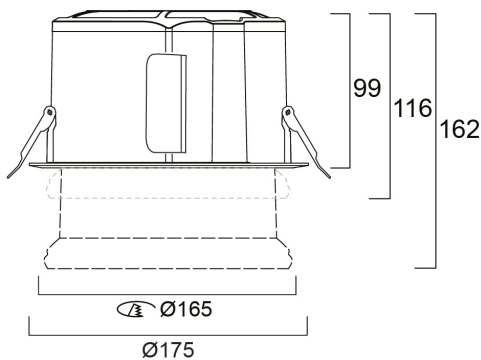
Concord



Equinox LUMI HCL TW is an elegant and innovative luminaire designed using the latest optical technology and Tunable White Human Centric Lighting (2700-6500K) Lumi LED chips (Colour rendering index Ra >97); It is a high quality and efficient lighting solution for office, hospitality, and retail environments. It creates inspirational halo effects regulated by a unique adjustable optic system. It is SyISmart dimmable downlight luminaire, For 4000K - Colour rendering index Ra >97; Melanopic Ratio MEER 0.866; Fidelity Index R_f 95; Gamut Index R_g 102, Class II, Cut out dimensions: 165mm. Low Glare UGR<19. Finish Jet Black RAL 9005.

Technical Assets

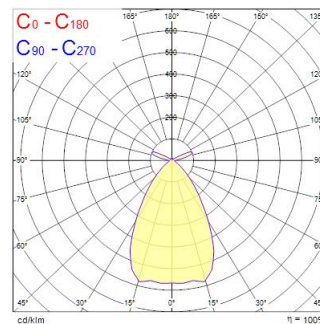
Dimensions (mm)



Photometrics

Distance [m]	Cone diameter [m]	E _{0%} [lx]	E _{50%} [lx]	E _{10%} [lx]
0.5	0.65	4701	1425	1166
1.0	1.29	1166	359	290
1.5	1.94	511	159	130
2.0	2.58	290	90	74
2.5	3.23	191	57	47
3.0	3.88	133	41	34

Distance [m] Cone diameter [m] Illuminance [lx]
 — C0 - C180 (Half beam angle: 65.8°)



Equinox 165 1925 LUMI HCL TW SSC01D BLACK

Item No: 2059961

Concord

General data

Product name	Equinox 165 1925 LUMI HCL TW SSC01D BLACK
Technology	LED
Cap/Base	N/A
Housing	Aluminium
Mount	Ceiling recessed mounting
Built in presence detector	NONE
General application	Office
Operating temperature range (°C)	1°C...+25°C
Performance ambient temperature Tq (°C)	25
Virtual assistant compatibility	N/A
ETIM Class	EC001744
Warranty	5 years

Optical data

Fixture luminous flux (lm)	1925
Luminaire efficacy (lm/W)	77
Correlated colour temperature (k)	4000
Light colour	Tuneable White HCL
CRI (Ra)	97
Colour Variation Initial (SDCM)	SDCM3
Colour Consistency (SDCM)	3
Beam Angle (°)	64
Distribution type	Diffuse
Glare control	< 19
Photobiological Risk Group	RG1

Electrical data

Total power consumption (W)	25
Primary Supply/Product voltage - min (V)	220.0
Primary Supply/Product voltage - max (V)	240.0
Lamp power factor	0.96
THD (at 230 V, 50 Hz, full load, at 100% dimming level) ≤ xx.x %	10
Electrical protection	Class II
Control gear type	LED driver constant current
Control gear mounting	Remote
Dimmable	Yes
Dimming method	SylSmart Standalone (SSC)
Minimum dimming level (%)	1
Drive current (mA)	500
Inrush Current (A)	26.4
Inrush Duration (µs)	224
Energy Efficiency Class (A->G) of contained light source	E
Nominal Frequency (Hz)	50/60Hz
Max. products per 10A C Breaker	16
Max. products per 13A C Breaker	21
Max. products per 16A C Breaker	26
Max. products per 20A C Breaker	33
Max. products per 10A B Breaker	10
Max. products per 13A B Breaker	13
Max. products per 16A B Breaker	16
Max. products per 20A B Breaker	20
Connectable conductor cross section - Min (mm ²)	0.5
Connectable conductor cross section - Max (mm ²)	2.5

Equinox 165 1925 LUMI HCL TW SSC01D BLACK

Item No: 2059961

Concord

Lifetime data

Lifespan L70 B50	100000
Lifespan L70 B20	100000
Lifespan L70 B10	100000
Lifespan L80 B50	81000
Lifespan L80 B20	76500
Lifespan L80 B10	74500
Lifespan L90 B50	39500
Lifespan L90 B20	37500
Lifespan L90 B10	36500

Physical data

Housing colour	RAL 9005 - Jet black
IP rating	IP20
IK rating	IK02
Diffuser finish	Other
Diffuser material	PMMA Acrylic
Reflector finish	Not Applicable
Nominal Product Height (mm)	99
Nominal Product Diameter (mm)	175
Weight (kg)	1.55

Packaging

Product EAN number	5025768599615
Packaging single length / height (cm)	30.0
Packaging single width (cm)	30.0
Packaging single depth (cm)	17.5
DUN14 (inner)	05025768599615
Units per outer package	1
Packaging outer length / height (cm)	30.0
Packaging outer width (cm)	30.0
Packaging outer depth (cm)	17.5

Safety data

Glow Wire Test (°C)	650
Optimal operating condition (°C)	1-25