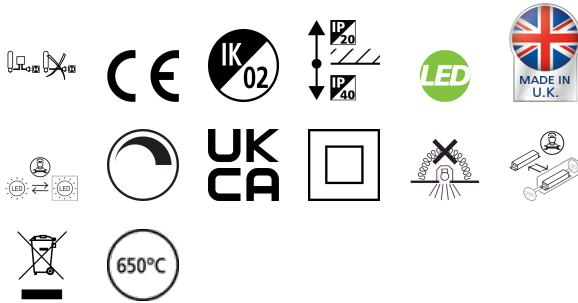


# ASCENT 100 II ARCH 1200 4K DALI 120

Item No: 2060527

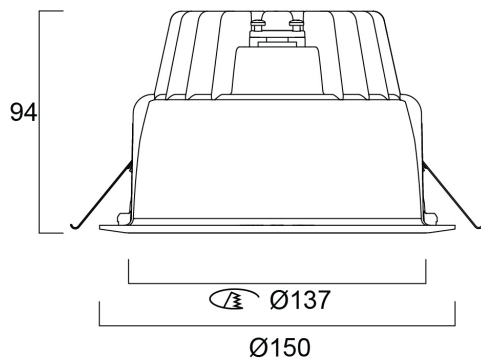
**Concord**



The ASCENT 100 II ARCH 1200 4K DALI 120 is a high efficient DALI dimmable downlight luminaire, Colour rendering index Ra >80, Colour temperature: 4000K Neutral White, Class II, Protection rating IP40/IP20, Cut out dimensions: 137mm

## Technical Assets

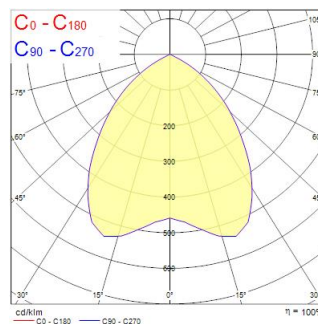
### Dimensions (mm)



### Photometrics

Distance [m]	Cone diameter [m]	Beam diameter [m]	Illuminance [lx]
0.5	0.94	Ø101	225
1.0	1.88	Ø101	56
1.5	2.83	Ø101	23
2.0	3.77	Ø101	14
2.5	4.71	Ø101	9
3.0	5.65	Ø101	6

Distance [m] Cone diameter [m] Illuminance [lx]  
 C0 - C180 (Half beam angle: 86.6°)



# ASCENT 100 II ARCH 1200 4K DALI 120

Item No: 2060527

## Concord

### General data

Product name	ASCENT 100 II ARCH 1200 4K DALI 120
Technology	LED
Cap/Base	N/A
Housing	Aluminium
Mount	Ceiling recessed mounting
Built in presence detector	NONE
General application	Hospitality, Office, Retail
Operating temperature range (°C)	25°C...+25°C
Performance ambient temperature Tq (°C)	25
Virtual assistant compatibility	
ETIM Class	EC001744
Warranty	5 years

### Optical data

Fixture luminous flux (lm)	1228
Luminaire efficacy (lm/W)	123
LOR (%)	100
Correlated colour temperature (k)	4000
CRI (Ra)	80
Colour Consistency (SDCM)	3
Colour Variation Initial (SDCM)	SDCM3
Beam Angle (°)	85
Distribution type	Diffuse
Glare control	< 23
Photobiological Risk Group	RG0

### Electrical data

Total power consumption (W)	10
Primary Supply/Product voltage - min (V)	220.0
Primary Supply/Product voltage - max (V)	240.0
Lamp power factor	0.95
THD (at 230 V, 50 Hz, full load, at 100% dimming level) ≤ xx.x %	10
Electrical protection	Class II
Control gear required	Yes
Control gear type	Electronic ballast
Control gear mounting	Remote
Dimmable	Yes
Dimming method	DALI-2, Switch-dim (mains-rated)
Minimum dimming level (%)	1
Drive current (mA)	200
Inrush Current (A)	5
Inrush Duration (µs)	20
Energy Efficiency Class (A->G) of contained light source	C
Nominal Frequency (Hz)	50/60Hz
Max. products per 10A C Breaker	50
Max. products per 16A C Breaker	80
Max. products per 10A B Breaker	82
Max. products per 16A B Breaker	130
Connectable conductor cross section - Min (mm <sup>2</sup> )	0.5
Connectable conductor cross section - Max (mm <sup>2</sup> )	1.5

### Lifetime data

Lifespan L70 B50	100000
Lifespan L80 B20	87500
Lifespan L90 B10	39500

# ASCENT 100 II ARCH 1200 4K DALI 120

Item No: 2060527

Concord

## Physical data

Housing colour	RAL 9016 - Traffic white / Bezel
IP rating	IP40/20
IK rating	IK02
Diffuser finish	Opal
Diffuser material	PMMA Acrylic
Nominal Product Width (mm)	150
Nominal Product Height (mm)	94
Nominal Product Diameter (mm)	150
Weight (kg)	0.715

## Packaging

Product EAN number	5025768605279
Packaging single length / height (cm)	17.5
Packaging single width (cm)	15.0
Packaging single depth (cm)	17.5
DUN14 (inner)	05025768605279
Units per outer package	1
Packaging outer length / height (cm)	17.5
Packaging outer width (cm)	15.0
Packaging outer depth (cm)	17.5

## Safety data

Glow Wire Test (°C)	650
Optimal operating condition (°C)	25-25