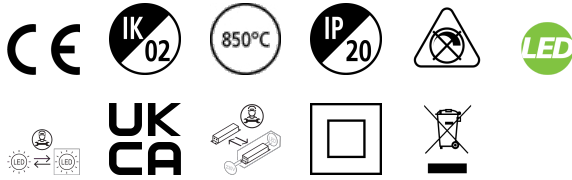


EXPOSPOT 90 CARDAN HE RA90 4000K WB WHITE

Item No: 2070046

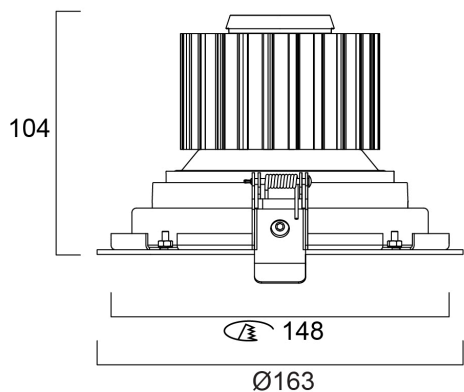
Concord



Integrated LED gimbal accent downlight, single head, ideal for retail and display applications, die-cast aluminium body, passive cooling, beam angle: 57°, optics: aluminium reflector and lens combination, colour temperature: 4000K neutral white, total system power: 28W, total fixture output: 2855lm, 102lm/W, LOR: 100%, colour rendering: Ra 90 typical, LED Chromacity: 3 step MacAdam ellipse, IR/UV free light source without heat radiation, operating voltage: 220-240V / 50-60Hz, electronic driver, non-dimmable, electrical protection: CLASS II, ingress protection rating: IP20, suitable for internal environment only, ceiling cut-out: 148mm, dimensions: 163x104mm, weight: 0.77kg.

Technical Assets

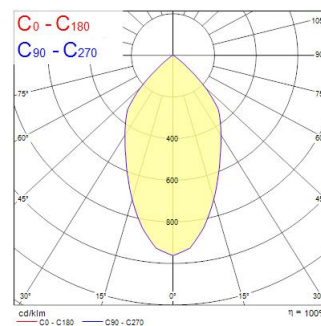
Dimensions (mm)



Photometrics

Distance [m]	Cone diameter [m]	Beam diameter [m]	Illuminance [lx]
0.5	0.55	0.07	1090
1.0	1.09	0.14	274
1.5	1.64	0.21	121
2.0	2.18	0.28	67
2.5	2.73	0.35	40
3.0	3.27	0.42	23

Distance [m] Cone diameter [m] Beam diameter [m] Illuminance [lx]
 — C0 - C180 (Half beam angle: 57.2°)



EXOSPOT 90 CARDAN HE RA90 4000K WB WHITE

Item No: 2070046

Concord

General data

Product name	EXOSPOT 90 CARDAN HE RA90 4000K WB WHITE
Technology	LED
Housing	Aluminium
Mount	Ceiling recessed mounting
Fixture rating	Enclosed
General application	Hospitality, Museums & Galleries, Retail
Performance ambient temperature Tq (°C)	25
ETIM Class	EC001744
Warranty	5 years

Optical data

Fixture luminous flux (lm)	2855
Luminaire efficacy (lm/W)	102
LOR (%)	100
Correlated colour temperature (k)	4000
Light colour	Neutral White
CRI (Ra)	90
Colour Variation Initial (SDCM)	SDCM3
Beam Angle (°)	57
Photobiological Risk Group	RG1

Electrical data

Total power consumption (W)	28
Lamp power factor	0.92
Electrical protection	Class II
Control gear required	No
Control gear type	Electronic ballast
Control gear mounting	Remote
Dimmable	No
Dimming method	N/A
Drive current (mA)	700
Inrush Current (A)	19.4
Inrush Duration (µs)	250
Energy Efficiency Class (A->G) of contained light source	E
Nominal Frequency (Hz)	50/60Hz
Max. products per 10A C Breaker	21
Max. products per 13A C Breaker	28
Max. products per 16A C Breaker	35
Max. products per 20A C Breaker	45
Max. products per 10A B Breaker	13
Max. products per 13A B Breaker	17
Max. products per 16A B Breaker	21
Max. products per 20A B Breaker	27

Lifetime data

Lifespan L70 B50	100000
Lifespan L80 B20	100000
Lifespan L90 B10	54500

EXPOSPOT 90 CARDAN HE RA90 4000K WB WHITE

Item No: 2070046

Concord

Physical data

Housing colour	White
IP rating	IP20
IK rating	IK02
Nominal Product Width (mm)	163
Nominal Product Height (mm)	104
Nominal Product Diameter (mm)	163
Weight (kg)	0.77
Recessed Depth (mm)	104

Packaging

Product EAN number	5025768700462
Packaging single length / height (cm)	18.0
Packaging single width (cm)	18.0
Packaging single depth (cm)	16.0
DUN14 (inner)	05025768700462
Units per outer package	1
Packaging outer length / height (cm)	18.0
Packaging outer width (cm)	18.0
Packaging outer depth (cm)	16.0

Safety data

Glow Wire Test (°C)	850
---------------------	-----