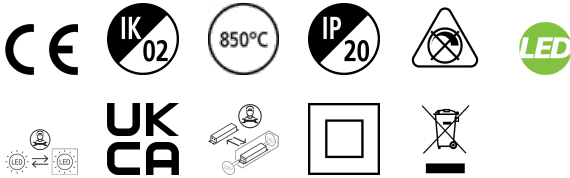


EXPOSPOT 90 DUO HO RA90 4000K MB BLACK

Item No: 2070118

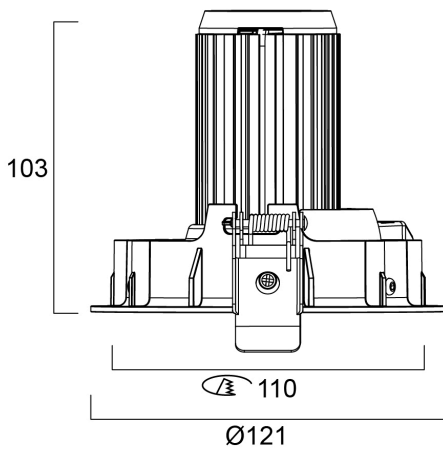
Concord



Integrated LED gimbal accent downlight, duo head, ideal for retail and display applications, die-cast aluminium body, black colour housing, passive cooling, beam angle: 44°, optics: aluminium reflector and lens combination, colour temperature: 3000K, total system power: 107W, total fixture output: 2 x 3458lm, 95lm/W, LOR: 100%, colour rendering: Ra 90 typical, LED Chromacity: 3 step MacAdam ellipse, IR/UV free light source without heat radiation, operating voltage: 220-240V / 50-60Hz, electronic driver, non-dimmable, electrical protection: CLASS II, ingress protection rating: IP20, suitable for internal environment only, ceiling cut-out: 148x422mm, outer dimensions: 163x104mm, weight: 2.1kg.

Technical Assets

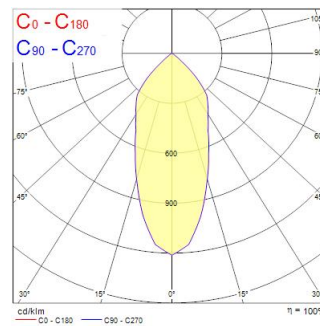
Dimensions (mm)



Photometrics

Distance [m]	Cone diameter [m]	Beam diameter [m]	Illuminance [lx]
0.5	0.38	Ø171	18777
1.0	0.76	Ø342	4694
1.5	1.14	Ø513	1884
2.0	1.52	Ø684	746
2.5	1.90	Ø855	298
3.0	2.28	Ø1026	119

Distance [m] Cone diameter [m] Illuminance [lx]
 — C0 - C180 (Half beam angle: 42.8°)



EXPOSPOT 90 DUO HO RA90 4000K MB BLACK

Item No: 2070118

Concord

General data

Product name	EXPOSPOT 90 DUO HO RA90 4000K MB BLACK
Technology	LED
Cap/Base	N/A
Housing	Aluminium
Mount	Ceiling recessed mounting
Fixture rating	Enclosed
General application	Hospitality, Museums & Galleries, Retail
Performance ambient temperature Tq (°C)	25
ETIM Class	EC001744
Warranty	5 years

Optical data

Fixture luminous flux (lm)	2 x 3458
Luminaire efficacy (lm/W)	95
LOR (%)	100
Correlated colour temperature (k)	3000
Light colour	Neutral White
CRI (Ra)	90
Colour Variation Initial (SDCM)	SDCM3
Beam Angle (°)	44
Photobiological Risk Group	RG1

Electrical data

Total power consumption (W)	107
Primary Supply/Product voltage - min (V)	220
Primary Supply/Product voltage - max (V)	240
Lamp power factor	0.95
Electrical protection	Class II
Control gear required	No
Control gear type	Electronic ballast
Control gear mounting	Remote
Dimmable	No
Dimming method	N/A
Drive current (mA)	300
Inrush Current (A)	17
Inrush Duration (µs)	199
Energy Efficiency Class (A->G) of contained light source	E
Nominal Frequency (Hz)	50/60Hz
Max. products per 10A C Breaker	31
Max. products per 13A C Breaker	41
Max. products per 16A C Breaker	51
Max. products per 20A C Breaker	65
Max. products per 10A B Breaker	19
Max. products per 13A B Breaker	25
Max. products per 16A B Breaker	31
Max. products per 20A B Breaker	39

Lifetime data

Lifespan L70 B50	100000
Lifespan L80 B20	100000
Lifespan L90 B10	54500

EXPOSPOT 90 DUO HO RA90 4000K MB BLACK

Item No: 2070118

Concord

Physical data

Housing colour	Black
IP rating	IP20
IK rating	IK02
Nominal Product Length (mm)	437
Nominal Product Width (mm)	163
Nominal Product Height (mm)	104
Weight (kg)	2.1
Recessed Depth (mm)	104

Packaging

Product EAN number	5025768701186
Packaging single length / height (cm)	50.0
Packaging single width (cm)	30.0
Packaging single depth (cm)	20.0
DUN14 (inner)	05025768701186
Units per outer package	1
Packaging outer length / height (cm)	50.0
Packaging outer width (cm)	30.0
Packaging outer depth (cm)	20.0

Safety data

Glow Wire Test (°C)	850
---------------------	-----