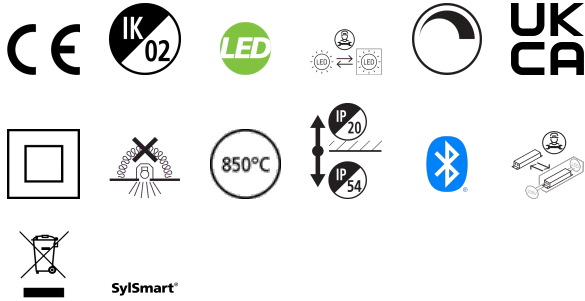


Solstice 200 Lumi HCL TW SSC01D

Item No: 2070164

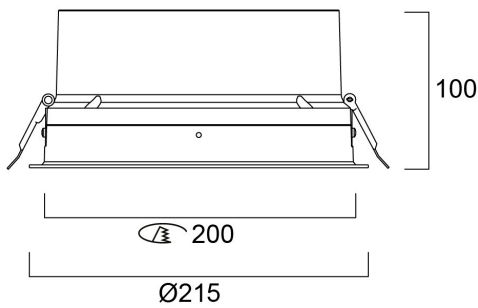
Concord



Solstice 200 Lumi HCL TW SSC . Melanopic Ratio /MEER 2700K-0.517, 4000K-0.868, 6500K-1.14

Technical Assets

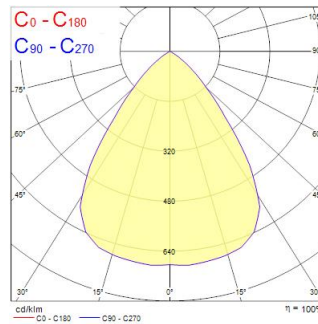
Dimensions (mm)



Photometrics

Distance [m]	Cone diameter [m]	Beam diameter [m]	Illuminance [lx]
0.5	0.78	0.78	5543
1.0	1.56	1.56	1386
1.5	2.34	2.34	616
2.0	3.11	3.11	346
2.5	3.89	3.89	222
3.0	4.67	4.67	154

Distance [m] Cone diameter [m] Illuminance [lx]
 C0 - C180 (Half beam angle: 75.0°)



Solstice 200 Lumi HCL TW SSC01D

Item No: 2070164

Concord

General data

Product name	Solstice 200 Lumi HCL TW SSC01D
Technology	LED
Cap/Base	N/A
Housing	Aluminium
Mount	Ceiling recessed mounting
Built in presence detector	NONE
General application	Hospitality, Office, Retail
Operating temperature range (°C)	-10°C...+40°C
Performance ambient temperature Tq (°C)	40
Virtual assistant compatibility	N/A
ETIM Class	EC001744
E-number FI	4262091
Warranty	5 years

Optical data

Fixture luminous flux (lm)	2050
Luminaire efficacy (lm/W)	93
LOR (%)	100
Light colour	Tuneable White HCL
CRI (Ra)	95
Colour Variation Initial (SDCM)	SDCM3
Colour Consistency (SDCM)	3
Beam Angle (°)	70
Distribution type	Symmetric
Glare control	< 19
Photobiological Risk Group	RG0

Electrical data

Emergency type	
Total power consumption (W)	22
Supply current (A)	450
Primary Supply/Product voltage - min (V)	220.0
Primary Supply/Product voltage - max (V)	240.0
Lamp power factor	0.96
THD (at 230 V, 50 Hz, full load, at 100% dimming level) ≤ xx.x %	10
Electrical protection	Class II
Control gear required	No
Control gear type	LED driver constant current
Dimmable	Yes
Dimming method	SylSmart Standalone (SSC)
Minimum dimming level (%)	1
Drive current (mA)	450
Inrush Current (A)	26
Inrush Duration (µs)	224
Energy Efficiency Class (A->G) of contained light source	E
Nominal Frequency (Hz)	50/60Hz
LED Flickering Rate	Ultra low (5% or less)
Max. products per 10A C Breaker	16
Max. products per 13A C Breaker	21
Max. products per 16A C Breaker	26
Max. products per 20A C Breaker	33
Max. products per 10A B Breaker	10
Max. products per 13A B Breaker	13
Max. products per 16A B Breaker	16
Max. products per 20A B Breaker	20
Connectable conductor cross section - Min (mm²)	0.5
Connectable conductor cross section - Max (mm²)	2.5

Solstice 200 Lumi HCL TW SSC01D

Item No: 2070164

Concord

Lifetime data

Lifespan L70 B50	90000
Lifespan L80 B10	90000

Physical data

Housing colour	RAL 9016 - Traffic white / Bezel
IP rating	IP54/20
IK rating	IK02
Diffuser finish	Diffuse
Diffuser material	PC Polycarbonate
Reflector finish	High-gloss
Nominal Product Height (mm)	100
Nominal Product Diameter (mm)	215
Built-in diameter (mm)	200
Max. Lamp Diameter (mm) - D	215
Weight (kg)	1.5
Recessed Depth (mm)	150

Packaging

Product EAN number	5025768701643
Packaging single length / height (cm)	30.3
Packaging single width (cm)	30.3
Packaging single depth (cm)	18.0
DUN14 (inner)	05025768701643
Units per outer package	1
Packaging outer length / height (cm)	30.3
Packaging outer width (cm)	30.3
Packaging outer depth (cm)	18.0

Safety data

Glow Wire Test (°C)	850
Optimal operating condition (°C)	-10-40