

Solstice 200 2300lm 930 DALI Square

Item No: 2070167

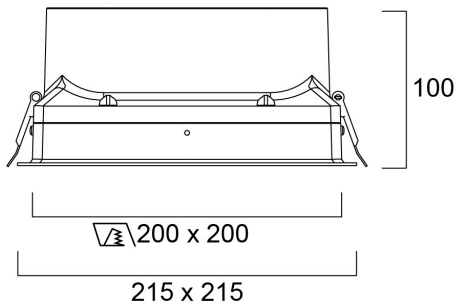
Concord



The Solstice 200 2300lm 930 DALI Square is a high efficient DALI dimmable downlight luminaire, Colour rendering index Ra>90, Colour temperature: 3000K Warm White, Class II, Protection rating IP40/IP20, Cut out dimensions: 200mm.

Technical Assets

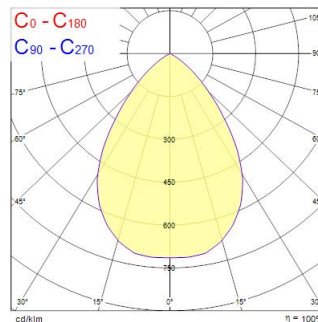
Dimensions (mm)



Photometrics

Distance [m]	Cone diameter [m]	Beam diameter [m]	Illuminance [lx]
0.5	0.76	0.76	699
1.0	1.52	1.52	174
1.5	2.28	2.28	78
2.0	3.04	3.04	44
2.5	3.80	3.80	29
3.0	4.56	4.56	19

Distance [m] Cone diameter [m] Beam diameter [m] Illuminance [lx]
 C0 - C180 (Half beam angle: 74.4°)



Solstice 200 2300lm 930 DALI Square

Item No: 2070167

Concord

General data

Product name	Solstice 200 2300lm 930 DALI Square
Technology	LED
Cap/Base	N/A
Housing	Aluminium
Mount	Ceiling recessed mounting
Built in presence detector	NONE
General application	Hospitality, Office, Retail
Operating temperature range (°C)	-10°C...+40°C
Performance ambient temperature Tq (°C)	40
Virtual assistant compatibility	N/A
ETIM Class	EC001744
E-number FI	4262092
Warranty	5 years

Optical data

Fixture luminous flux (lm)	2300
Luminaire efficacy (lm/W)	135
LOR (%)	100
Correlated colour temperature (k)	3000
Light colour	Warm White
CRI (Ra)	90
Colour Consistency (SDCM)	3
Colour Variation Initial (SDCM)	SDCM3
Beam Angle (°)	70
Distribution type	Symmetric
Glare control	< 20
Photobiological Risk Group	RG0

Electrical data

Total power consumption (W)	17
Supply current (A)	450
Primary Supply/Product voltage - min (V)	220.0
Primary Supply/Product voltage - max (V)	240.0
Lamp power factor	0.96
THD (at 230 V, 50 Hz, full load, at 100% dimming level) ≤ xx.x %	7
Electrical protection	Class II
Control gear required	No
Control gear type	LED driver constant current
Dimmable	Yes
Dimming method	DALI-2, Switch-dim (mains-rated)
Minimum dimming level (%)	1
Drive current (mA)	450
Inrush Current (A)	25
Inrush Duration (µs)	141
Energy Efficiency Class (A->G) of contained light source	C
Nominal Frequency (Hz)	50/60Hz
LED Flickering Rate	Ultra low (5% or less)
Max. products per 10A C Breaker	31
Max. products per 13A C Breaker	40
Max. products per 16A C Breaker	51
Max. products per 20A C Breaker	66
Max. products per 10A B Breaker	19
Max. products per 13A B Breaker	24
Max. products per 16A B Breaker	31
Max. products per 20A B Breaker	40
Connectable conductor cross section - Min (mm ²)	0.5
Connectable conductor cross section - Max (mm ²)	2.5

Solstice 200 2300lm 930 DALI Square

Item No: 2070167

Concord

Lifetime data

Lifespan L70 B50	120000
Lifespan L80 B20	120000
Lifespan L80 B10	120000
Lifespan L90 B10	68000

Physical data

Housing colour	RAL 9016 - Traffic white / Bezel
IP rating	IP54/20
IK rating	IK02
Diffuser finish	Diffuse
Diffuser material	PC Polycarbonate
Reflector finish	High-gloss
Nominal Product Length (mm)	215
Nominal Product Width (mm)	215
Nominal Product Height (mm)	100
Weight (kg)	1.5
Recessed Depth (mm)	150

Packaging

Product EAN number	5025768701674
Packaging single length / height (cm)	30.3
Packaging single width (cm)	30.3
Packaging single depth (cm)	18.0
DUN14 (inner)	05025768701674
Units per outer package	1
Packaging outer length / height (cm)	30.3
Packaging outer width (cm)	30.3
Packaging outer depth (cm)	18.0

Safety data

Glow Wire Test (°C)	850
Optimal operating condition (°C)	-10-40