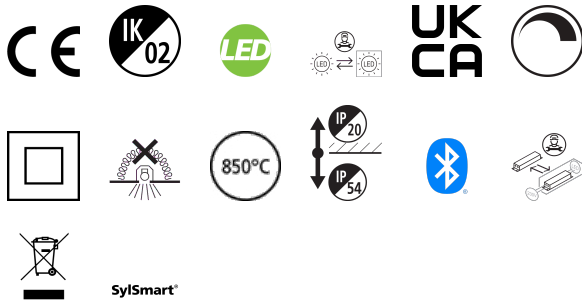


Solstice 150 1250lm 930 SSC01D GB

Item No: 2070235

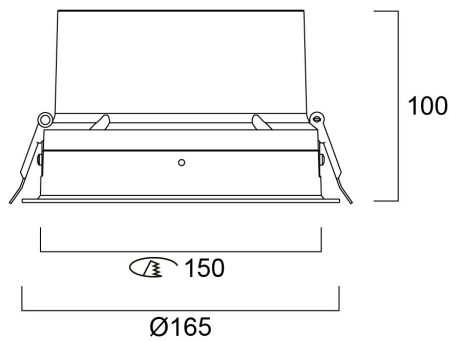
Concord



The Solstice 150 1250lm 930 SSC GB is a high efficient SSC GB dimmable downlight luminaire, Colour rendering index Ra>90, Colour temperature: 3000K Warm White, Class II, Protection rating IP40/IP20, Cut out dimensions: 150mm.

Technical Assets

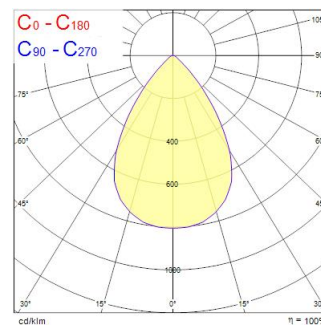
Dimensions (mm)



Photometrics

Distance [m]	Cone diameter [m]	Beam diameter [m]	Illuminance [lx]
0.5	0.69	0.71	425
1.0	1.37	1.41	107
1.5	2.06	2.12	47
2.0	2.75	2.83	22
2.5	3.44	3.54	11
3.0	4.12	4.24	6

Distance [m] Cone diameter [m] Beam diameter [m] Illuminance [lx]
 CO - C180 (Half beam angle: 66.0°)



Solstice 150 1250lm 930 SSC01D GB

Item No: 2070235

Concord

General data

Product name	Solstice 150 1250lm 930 SSC01D GB
Technology	LED
Cap/Base	N/A
Housing	Aluminium
Mount	Ceiling recessed mounting
Built in presence detector	NONE
General application	Hospitality, Office, Retail
Operating temperature range (°C)	-10°C...+40°C
Performance ambient temperature Tq (°C)	40
Virtual assistant compatibility	N/A
ETIM Class	EC001744
E-number FI	4262061
Warranty	5 years

Optical data

Fixture luminous flux (lm)	1250
Luminaire efficacy (lm/W)	83
LOR (%)	100
Correlated colour temperature (k)	3000
Light colour	Warm White
CRI (Ra)	90
Colour Variation Initial (SDCM)	SDCM3
Colour Consistency (SDCM)	3
Beam Angle (°)	70
Distribution type	Symmetric
Glare control	< 19
Photobiological Risk Group	RG0

Electrical data

Total power consumption (W)	15
Supply current (A)	400
Primary Supply/Product voltage - min (V)	220.0
Primary Supply/Product voltage - max (V)	240.0
Lamp power factor	0.96
THD (at 230 V, 50 Hz, full load, at 100% dimming level) ≤ xx.x %	9
Electrical protection	Class II
Control gear required	No
Control gear type	LED driver constant current
Dimmable	Yes
Dimming method	SylSmart Standalone (SSC)
Minimum dimming level (%)	1
Drive current (mA)	400
Inrush Current (A)	20
Inrush Duration (µs)	140
Energy Efficiency Class (A->G) of contained light source	C
Nominal Frequency (Hz)	50/60Hz
LED Flickering Rate	Ultra low (5% or less)
Max. products per 10A C Breaker	40
Max. products per 13A C Breaker	56
Max. products per 16A C Breaker	64
Max. products per 20A C Breaker	80
Max. products per 10A B Breaker	21
Max. products per 13A B Breaker	28
Max. products per 16A B Breaker	35
Max. products per 20A B Breaker	44
Connectable conductor cross section - Min (mm ²)	0.5
Connectable conductor cross section - Max (mm ²)	2.5

Solstice 150 1250lm 930 SSC01D GB

Item No: 2070235

Concord

Lifetime data

Lifespan L70 B50	120000
Lifespan L80 B20	120000
Lifespan L80 B10	120000
Lifespan L90 B10	74000

Physical data

Housing colour	RAL 9005 - Jet black
IP rating	IP54/20
IK rating	IK02
Diffuser finish	Diffuse
Diffuser material	PC Polycarbonate
Reflector finish	Other
Nominal Product Height (mm)	100
Nominal Product Diameter (mm)	165
Built-in diameter (mm)	150
Max. Lamp Diameter (mm) - D	165
Weight (kg)	0.95
Recessed Depth (mm)	150

Packaging

Product EAN number	5025768702350
Packaging single length / height (cm)	30.3
Packaging single width (cm)	30.3
Packaging single depth (cm)	18.0
DUN14 (inner)	05025768702350
Units per outer package	1
Packaging outer length / height (cm)	30.3
Packaging outer width (cm)	30.3
Packaging outer depth (cm)	18.0

Safety data

Glow Wire Test (°C)	850
Optimal operating condition (°C)	-10-40