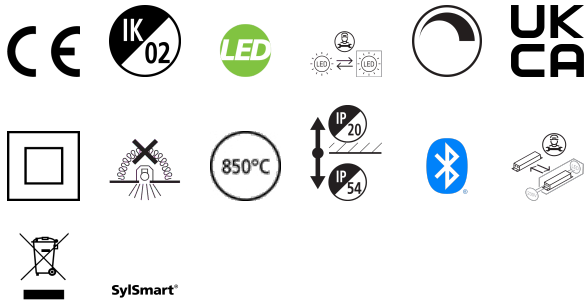


# Solstice 150 1800lm 930 SSC01D WW

Item No: 2070394

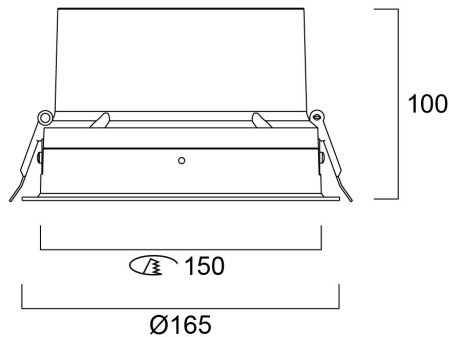
# Concord



The Solstice 150 1800lm 930 SSC WW is a high efficient SSC WW dimmable downlight luminaire, Colour rendering index Ra>90, Colour temperature: 3000K Warm White, Class II, Protection rating IP40/IP20, Cut out dimensions: 150mm.

## Technical Assets

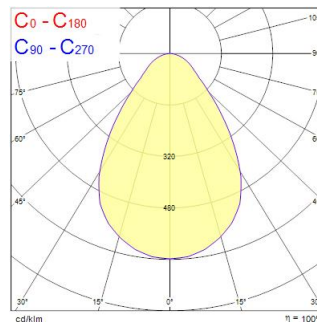
### Dimensions (mm)



### Photometrics

| Distance [m] | Cone diameter [m] | Beam diameter [m] | Illuminance [lx] |
|--------------|-------------------|-------------------|------------------|
| 0.5          | 0.74              | Ø101              | 436              |
| 1.0          | 1.47              | Ø202              | 109              |
| 1.5          | 2.21              | Ø303              | 48               |
| 2.0          | 2.95              | Ø404              | 30               |
| 2.5          | 3.69              | Ø505              | 20               |
| 3.0          | 4.42              | Ø606              | 15               |

Distance [m] Cone diameter [m] Illuminance [lx]  
C0 - C180 (Half beam angle: 72.8°)



# Solstice 150 1800lm 930 SSC01D WW

Item No: 2070394

# Concord

## General data

|   |                                   |
|---|-----------------------------------|
| Product name                            | Solstice 150 1800lm 930 SSC01D WW |
| Technology                              | LED                               |
| Cap/Base                                | N/A                               |
| Housing                                 | Aluminium                         |
| Mount                                   | Ceiling recessed mounting         |
| Built in presence detector              | NONE                              |
| General application                     | Hospitality, Office, Retail       |
| Operating temperature range (°C)        | -10°C...+40°C                     |
| Performance ambient temperature Tq (°C) | 40                                |
| Virtual assistant compatibility         | N/A                               |
| ETIM Class                              | EC001744                          |
| E-number FI                             | 4262069                           |
| Warranty                                | 5 years                           |

## Optical data

|                                   |            |
|-----------------------------------|------------|
| Fixture luminous flux (lm)        | 1800       |
| Luminaire efficacy (lm/W)         | 120        |
| LOR (%)                           | 100        |
| Correlated colour temperature (k) | 3000       |
| Light colour                      | Warm White |
| CRI (Ra)                          | 90         |
| Colour Consistency (SDCM)         | 3          |
| Colour Variation Initial (SDCM)   | SDCM3      |
| Beam Angle (°)                    | 70         |
| Distribution type                 | Symmetric  |
| Glare control                     | < 24       |
| Photobiological Risk Group        | RG1        |

## Electrical data

|  |                             |
|--|-----------------------------|
| Total power consumption (W)                                      | 15                          |
| Primary Supply/Product voltage - min (V)                         | 220.0                       |
| Primary Supply/Product voltage - max (V)                         | 240.0                       |
| Lamp power factor  | 0.96                        |
| THD (at 230 V, 50 Hz, full load, at 100% dimming level) ≤ xx.x % | 9                           |
| Electrical protection  | Class II                    |
| Control gear required  | No                          |
| Control gear type  | LED driver constant current |
| Dimmable   | Yes                         |
| Dimming method   | SylSmart Standalone (SSC)   |
| Minimum dimming level (%)  | 1                           |
| Drive current (mA)   | 400                         |
| Inrush Current (A)   | 20                          |
| Inrush Duration (µs)   | 140                         |
| Energy Efficiency Class (A->G) of contained light source         | C                           |
| Nominal Frequency (Hz)   | 50/60Hz                     |
| LED Flickering Rate  | Ultra low (5% or less)      |
| Max. products per 10A C Breaker                                  | 40                          |
| Max. products per 13A C Breaker                                  | 56                          |
| Max. products per 16A C Breaker                                  | 64                          |
| Max. products per 20A C Breaker                                  | 80                          |
| Max. products per 10A B Breaker                                  | 21                          |
| Max. products per 13A B Breaker                                  | 28                          |
| Max. products per 16A B Breaker                                  | 35                          |
| Max. products per 20A B Breaker                                  | 44                          |
| Connectable conductor cross section - Min (mm <sup>2</sup> )     | 0.5                         |
| Connectable conductor cross section - Max (mm <sup>2</sup> )     | 2.5                         |

# Solstice 150 1800lm 930 SSC01D WW

Item No: 2070394

# Concord

## Lifetime data

|                  |        |
|------------------|--------|
| Lifespan L70 B50 | 120000 |
| Lifespan L80 B20 | 120000 |
| Lifespan L80 B10 | 120000 |
| Lifespan L90 B10 | 74000  |

## Physical data

|                               |                                  |
|-------------------------------|----------------------------------|
| Housing colour                | RAL 9016 - Traffic white / Bezel |
| IP rating                     | IP54/20                          |
| IK rating                     | IK02                             |
| Diffuser finish               | Diffuse                          |
| Diffuser material             | PC Polycarbonate                 |
| Reflector finish              | Not Applicable                   |
| Nominal Product Height (mm)   | 100                              |
| Nominal Product Diameter (mm) | 165                              |
| Built-in diameter (mm)        | 150                              |
| Max. Lamp Diameter (mm) - D   | 165                              |
| Weight (kg)                   | 0.95                             |
| Recessed Depth (mm)           | 150                              |

## Packaging

|                                       |                |
|---------------------------------------|----------------|
| Product EAN number                    | 5025768703944  |
| Packaging single length / height (cm) | 30.3           |
| Packaging single width (cm)           | 30.3           |
| Packaging single depth (cm)           | 18.0           |
| DUN14 (inner)                         | 05025768703944 |
| Units per outer package               | 1              |
| Packaging outer length / height (cm)  | 30.3           |
| Packaging outer width (cm)            | 30.3           |
| Packaging outer depth (cm)            | 18.0           |

## Safety data

|                                  |        |
|----------------------------------|--------|
| Glow Wire Test (°C)              | 850    |
| Optimal operating condition (°C) | -10-40 |