

Colossal 600mm 830 Opal Dir+Hal White EM

Item No: 2071198

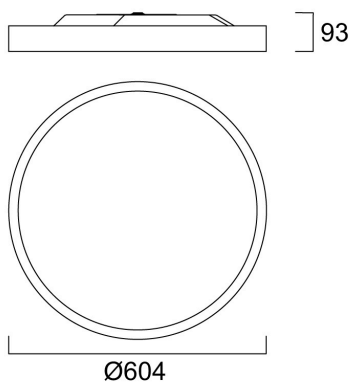
Concord



600mm diameter circular architectural luminaire, can be surface mounted or suspended. Powder coated aluminium housing (RAL9016) with polycarbonate opal diffuser. Direct/indirect (halo) light distribution, 5190lm luminous flux, 41.5W system power, 125lm/W luminaire efficacy. Constant current driver. 3 hours integrated emergency. Colour rendering index Ra >80, 3000K Warm White LED, chromaticity tolerance of 3-step MacAdam ellipse. IP40, IK03. 450mA drive current. Electrical protection Class1, 220-240V. Reported lifetime 66k hours L90B10.

Technical Assets

Dimensions (mm)

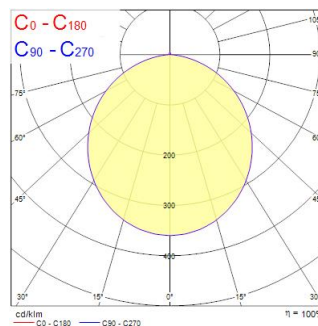


Photometrics

Distance [m]	Cone diameter [m]	E ₀ ⁽¹⁾ [lx]	E ₀ ⁽²⁾ [lx]	E ₀ ⁽³⁾ [lx]
0.5	1.41	1274	547	123
1.0	2.82	159	67	15
1.5	4.24	68	29	6
2.0	5.65	32	14	3
2.5	7.06	16	7	2
3.0	8.47	10	4	1

Distance [m] Cone diameter [m] Illuminance [lx]

— C0 - C180 (Half beam angle: 108.4°)



Colossal 600mm 830 Opal Dir+Hal White EM

Item No: 2071198

Concord

General data

Product name	Colossal 600mm 830 Opal Dir+Hal White EM
Technology	LED
Cap/Base	N/A
Housing	Aluminium
Mount	Suspended
Built in presence detector	NONE
General application	Hospitality, Office
Operating temperature range (°C)	10°C...+25°C
Virtual assistant compatibility	N/A
ETIM Class	EC002892
Warranty	5 years

Optical data

Fixture luminous flux (lm)	5190
Luminaire efficacy (lm/W)	125
Correlated colour temperature (k)	3000
Colour Code	830
Light colour	Warm White
CRI (Ra)	80
Colour Variation Initial (SDCM)	SDCM3
Distribution type	Symmetric
Glare control	< 22
Photobiological Risk Group	RG0

Electrical data

Emergency type	
Emergency duration (h)	3
Total power consumption (W)	41.5
Primary Supply/Product voltage - min (V)	198.0
Primary Supply/Product voltage - max (V)	264.0
Lamp power factor	0.95
THD (at 230 V, 50 Hz, full load, at 100% dimming level) ≤ xx.x %	20
Electrical protection	Class I
Control gear required	No
Control gear type	LED driver constant current
Dimmable	No
Dimming method	N/A
Drive current (mA)	450
Inrush Current (A)	15
Inrush Duration (µs)	250
Energy Efficiency Class (A->G) of contained light source	B
Nominal Frequency (Hz)	50/60Hz
LED Flickering Rate	Ultra low (5% or less)
Max. products per 10A C Breaker	40
Max. products per 13A C Breaker	51
Max. products per 16A C Breaker	63
Max. products per 20A C Breaker	80
Max. products per 10A B Breaker	24
Max. products per 13A B Breaker	31
Max. products per 16A B Breaker	38
Max. products per 20A B Breaker	48
Connectable conductor cross section - Max (mm ²)	2.5

Lifetime data

Lifespan L70 B50	170000
Lifespan L80 B20	145000
Lifespan L90 B10	66000

Colossal 600mm 830 Opal Dir+Hal White EM

Item No: 2071198

Concord

Physical data

Housing colour	RAL 9016 - Traffic white / Bezel
IP rating	IP40/20
IK rating	IK07
Diffuser finish	Opal
Diffuser material	PC Polycarbonate
Nominal Product Height (mm)	93
Nominal Product Diameter (mm)	604
Weight (kg)	9.3

Packaging

Product EAN number	5025768711987
Packaging single length / height (cm)	14.0
Packaging single width (cm)	68.0
Packaging single depth (cm)	68.0
DUN14 (inner)	05025768711987
Units per outer package	1
Packaging outer length / height (cm)	14.0
Packaging outer width (cm)	68.0
Packaging outer depth (cm)	68.0

Safety data

Glow Wire Test (°C)	650
Optimal operating condition (°C)	10-25