

# Raiden IP66 30KLM 840 Symmetric Wide

Item No: 2824072

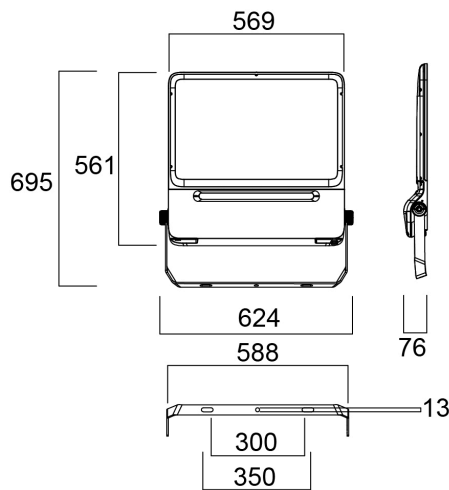
Concord



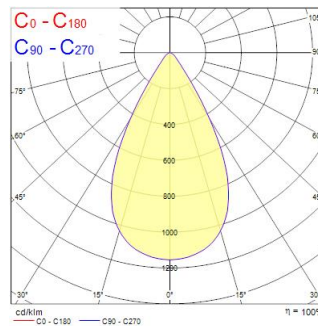
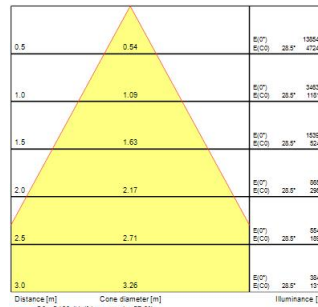
Outdoor and indoor floodlight range with in house design, comes complete with 1m flying lead and adjustable bracket, aluminium housing, RAL 9022 - Pearl light grey, clear glass diffuser, IP66, IK08, Class I, 4000K, Non-dimming, 30000lm, 221W, 136lm/W, CRI80, Symmetric Wide beam angle 60°, 100000 hrs L90B50 lifespan, 561x569x76mm (LxWxH) dimensions, 12.5kg weight. Ball-impact-resistance according to DIN57710-13 VDE 0710 13/5.81, DIN 18032-3 only with the separate wire guard accessory fitted.

## Technical Assets

### Dimensions (mm)



### Photometrics



# Raiden IP66 30KLM 840 Symmetric Wide

Item No: 2824072

# Concord

## General data

Product name	Raiden IP66 30KLM 840 Symmetric Wide
Technology	LED
Cap/Base	N/A
Housing	Aluminium
General application	Logistics & Industry
Operating temperature range (°C)	-40°C...+50°C
Performance ambient temperature Tq (°C)	25
ETIM Class	EC001744
Warranty	5 years

## Optical data

Fixture luminous flux (lm)	30000
Luminaire efficacy (lm/W)	136
Correlated colour temperature (k)	4000
Light colour	Neutral White
CRI (Ra)	80
Colour Variation Initial (SDCM)	SDCM3
Beam Angle (°)	60
Photobiological Risk Group	RG1

## Electrical data

Total power consumption (W)	221
Primary Supply/Product voltage - min (V)	220
Primary Supply/Product voltage - max (V)	240
Lamp power factor	0.95
THD (at 230 V, 50 Hz, full load, at 100% dimming level) ≤ xx.x %	20
Electrical protection	Class I
Control gear required	No
Dimmable	No
Dimming method	N/A
Drive current (mA)	4550
Inrush Current (A)	120
Inrush Duration (µs)	200
Energy Efficiency Class (A->G) of contained light source	E
Nominal Frequency (Hz)	50/60Hz
Max. products per 10A C Breaker	5
Max. products per 13A C Breaker	6
Max. products per 16A C Breaker	9
Max. products per 20A C Breaker	10
Max. products per 10A B Breaker	3
Max. products per 13A B Breaker	4
Max. products per 16A B Breaker	5
Max. products per 20A B Breaker	6
Mains surge immunity (differential mode -> L-N) (kV)	6
Mains surge immunity (common mode -> L/N - GND) (kV)	10

## Lifetime data

Lifespan L70 B50	100000
Lifespan L80 B20	94000
Lifespan L90 B50	100000

# Raiden IP66 30KLM 840 Symmetric Wide

Item No: 2824072

**Concord**

## Physical data

Housing colour	RAL 9022 - Pearl light grey
IP rating	IP66
IK rating	IK08
Nominal Product Length (mm)	561
Nominal Product Width (mm)	569
Nominal Product Height (mm)	76
Weight (kg)	12.5

## Packaging

Product EAN number	5025768240722
Packaging single length / height (cm)	63.0
Packaging single width (cm)	63.0
Packaging single depth (cm)	14.0
DUN14 (inner)	05025768240722
Units per outer package	1
Packaging outer length / height (cm)	63.0
Packaging outer width (cm)	63.0
Packaging outer depth (cm)	14.0

## Safety data

Glow Wire Test (°C)	850
Optimal operating condition (°C)	-40-50