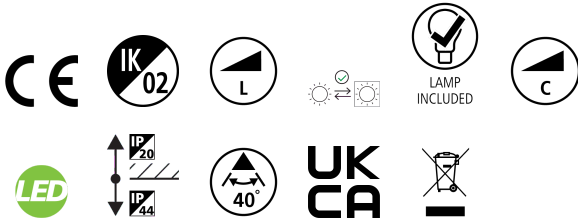


# INSET TREND KIT SW IP44 REFLED ES50 36° WH NW DIM

Item No: 3001765

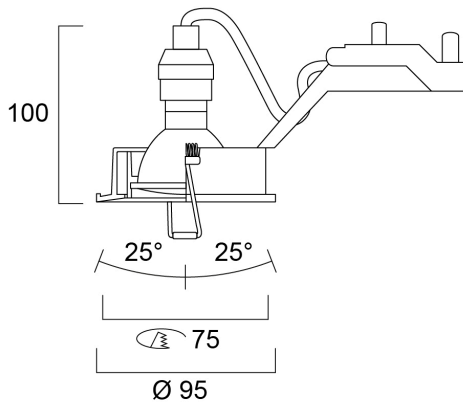
**PRO**<sup>TM</sup>



GU10 Housing with REFLED ES50 36° lamp included, Ideal for indoor application, Loop in - loop out box included

## Technical Assets

### Dimensions (mm)



### Photometrics

# INSET TREND KIT SW IP44 REFLED ES50 36° WH NW DIM

Item No: 3001765

## General data

Product name	INSET TREND KIT SW IP44 REFLED ES50 36° WH NW DIM
Technology	LED
Cap/Base	GU10
Housing	Aluminium
Mount	Ceiling recessed mounting
Environment	Indoor
General application	Hospitality, Residential & Consumer
ETIM Class	EC001744
E-number FI	4270039
E-number SE	7468152
Warranty	3 years

## Optical data

Fixture luminous flux (lm)	345
Luminaire efficacy (lm/W)	76
LOR (%)	100
Correlated colour temperature (k)	4000
Light colour	Neutral White
CRI (Ra)	80
Adjustable chromaticity	N
Beam Angle (°)	40

## Electrical data

Light source included	0029128
Total power consumption (W)	4.5
Control gear type	Electronic ballast
Dimming method	Mains: leading / trailing edge
Energy Efficiency Class (A->G) of contained light source	F

## Physical data

Housing colour	White
IP rating	IP44/20
IK rating	IK02
Diffuser finish	Transparent
Diffuser material	Other
Nominal Product Height (mm)	100
Nominal Product Diameter (mm)	95
Weight (kg)	0.224
Recessed Depth (mm)	140

## Packaging

Product EAN number	8711971017653
Packaging single length / height (cm)	13.03
Packaging single width (cm)	10.03
Packaging single depth (cm)	8.53
DUN14 (inner)	18711971017650
Units per outer package	30
Packaging outer length / height (cm)	29.0
Packaging outer width (cm)	28.4
Packaging outer depth (cm)	53.0