

Loop-in Loop-Out Wiring Box 3-WAY Accessory

Item No: 3079401

SYLVANIA

PROTM

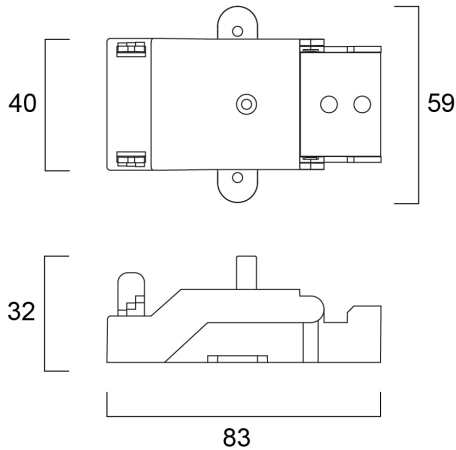
CE UK
CA



Loop In - Loop Out 3-way wiring box

Technical Assets

Dimensions (mm)



Photometrics

General data

Product name	Loop-in Loop-Out Wiring Box 3-WAY Accessory
Technology	Non - Electrical Device
Environment	Indoor
ETIM Class	EC002556
E-number FI	4289274
Warranty	3 years

Physical data

Weight (kg) | 0.037

Loop-in Loop-Out Wiring Box 3-WAY Accessory

Item No: 3079401



Packaging

Product EAN number	8711971794011
Packaging single length / height (cm)	8.23
Packaging single width (cm)	5.83
Packaging single depth (cm)	2.37
DUN14 (inner)	18711971794018
Units per outer package	200
Packaging outer length / height (cm)	37.2
Packaging outer width (cm)	39.5
Packaging outer depth (cm)	34.1