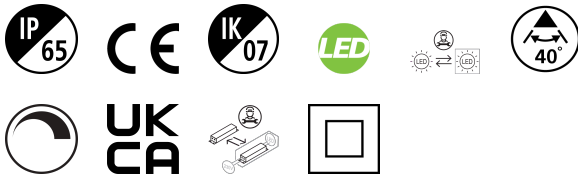


# Inverto Dir/Ind NW 1-10V Silver

Item No: 3080043



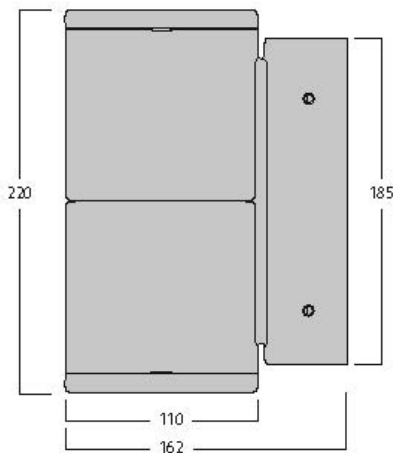
**PRO**<sup>TM</sup>



Surface Wall mounted direct / indirect luminaire, wire to base with pluggable connection for easy installation, suitable for looping, silver coloured aluminium housing, 3233lm (2 x 1616lm), 30W, 107lm/W, 4000K, 350mA, CRI:80, 40° beam Angle, 1-10V dimmable, IP65, IK07, lifespan: 60,000hrs (L80:B20), 23.00x32.2x11.5mm.

## Technical Assets

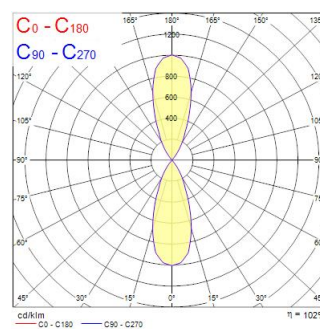
### Dimensions (mm)



### Photometrics

Distance [m]	Cone diameter [m]	E107 E109	E107 E109	13003 8408
0.5	0.36	E107 E109	19.8°	3251 1959
1.0	0.72	E107 E109	19.8°	1446 894
1.5	1.08	E107 E109	19.8°	813 500
2.0	1.44	E107 E109	19.8°	500 313
2.5	1.80	E107 E109	19.8°	361 225
3.0	2.16	E107 E109	19.8°	281 176

Distance [m] Cone diameter [m] Illuminance [lx]  
C0 - C180 (Half beam angle: 39.6°)



# Inverto Dir/Ind NW 1-10V Silver

Item No: 3080043

**SYLVANIA**

## General data

Product name	Inverto Dir/Ind NW 1-10V Silver
Technology	LED
Cap/Base	N/A
Housing	Aluminium
Mount	Wall surface mounted
Environment	Internal/External
General application	Hospitality
Operating temperature range (°C)	-25°C...+25°C
Performance ambient temperature Tq (°C)	25
ETIM Class	EC002892
E-number FI	4579307
E-number SE	7702898
Warranty	5 years

## Optical data

Fixture luminous flux (lm)	3233
Luminaire efficacy (lm/W)	107
LOR (%)	100
Correlated colour temperature (k)	4000
Light colour	Neutral White
CRI (Ra)	80
Colour Consistency (SDCM)	3
Adjustable chromaticity	N
Beam Angle (°)	40
Photobiological Risk Group	RG1

## Electrical data

Total power consumption (W)	30
Primary Supply/Product voltage - min (V)	220
Primary Supply/Product voltage - max (V)	240
Electrical protection	Class II
Control gear type	Electronic ballast
Dimmable	Yes
Dimming method	1-10V (Analogue)
Minimum dimming level (%)	5
Drive current (mA)	350
Inrush Current (A)	45
Inrush Duration (µs)	20
Energy Efficiency Class (A->G) of contained light source	D
Nominal Frequency (Hz)	50/60Hz
Max. products per 10A C Breaker	50
Max. products per 16A C Breaker	80

## Lifetime data

Lifespan L70 B50	60000
Lifespan L80 B20	60000
Lifespan L90 B10	56100

## Physical data

Housing colour	RAL 9022 - Pearl light grey
IP rating	IP65
IK rating	IK07
Diffuser finish	Transparent
Diffuser material	Glass
Nominal Product Length (mm)	162
Nominal Product Width (mm)	110
Nominal Product Height (mm)	220
Weight (kg)	2.444

# Inverto Dir/Ind NW 1-10V Silver

Item No: 3080043



## Packaging

Product EAN number	8711971800439
Packaging single length / height (cm)	23.0
Packaging single width (cm)	32.3
Packaging single depth (cm)	11.5
DUN14 (inner)	08711971800439
Units per outer package	1
Packaging outer length / height (cm)	23.0
Packaging outer width (cm)	32.3
Packaging outer depth (cm)	11.5

## Safety data

Optimal operating condition (°C)	-25-25
----------------------------------	--------