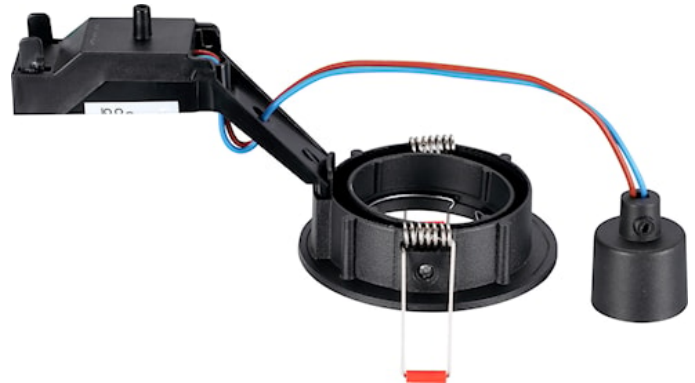


INSET TREND 75 SW BLK EX-LMP

Item No: 3084101

SYLVANIA

PROTM

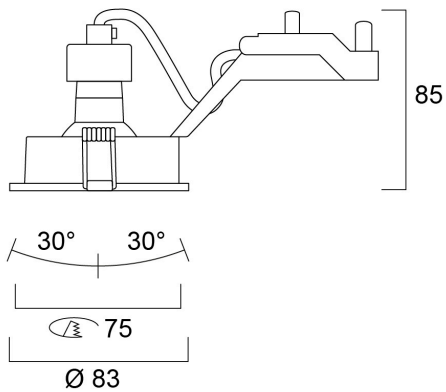


75mm cut out. 2 x 30° Tilt. Round bezel.

Technical Assets

Dimensions (mm)

Photometrics



INSET TREND 75 SW BLK EX-LMP

Item No: 3084101

SYLVANIA

General data

Product name	INSET TREND 75 SW BLK EX-LMP
Technology	Non - Electrical Device
Type of accessory	Other
Housing	Aluminium
Mount	Ceiling recessed mounting
Built in presence detector	NONE
Environment	Indoor
General application	Hospitality, Residential & Consumer
ETIM Class	N/A
E-number FI	4225700
Warranty	3 years

Optical data

LOR (%)	Dependent on lamp
Colour Variation Initial (SDCM)	N/A
Adjustable chromaticity	N
Photobiological Risk Group	Not applicable

Electrical data

Primary Supply/Product voltage - min (V)	220
Primary Supply/Product voltage - max (V)	240
Electrical protection	Class II

Physical data

Housing colour	RAL 9004 - Signal black
IP rating	IP23/20
IK rating	IK02
Diffuser finish	Other
Nominal Product Height (mm)	85
Nominal Product Diameter (mm)	83
Weight (kg)	0.25
Recessed Depth (mm)	100

Packaging

Product EAN number	8711971841012
Packaging single length / height (cm)	13.3
Packaging single width (cm)	10.1
Packaging single depth (cm)	7.0
DUN14 (inner)	08711971841012
Units per outer package	30
Packaging outer length / height (cm)	53.0
Packaging outer width (cm)	28.0
Packaging outer depth (cm)	23.0

Safety data

Glow Wire Test (°C)	650
---------------------	-----