

# START SPOT ALUMINIUM 720LM 827 IP44 BLK

Item No: 0005180

**SYLVANIA**

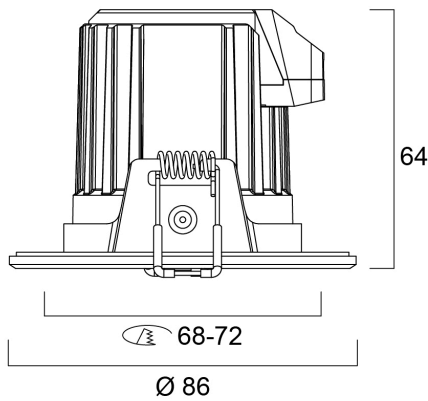
**START**<sup>TM</sup>



Integrated LED recessed spotlight, vertical tilt 30°, black bezel finish with black reflector, white replaceable reflector included in the packaging, 720lm (black reflector), 9W, dimmable trailing/leading edge, 3000K, 40° degree beam angle, polycarbonate and aluminium body, low profile 62mm recessed depth, IP44 from the front, IK07, loop-in/loop-out terminals for fast wiring, weight 0,165Kg, 85mm bezel diameter, 68-72mm cutout, clear lens.

## Technical Assets

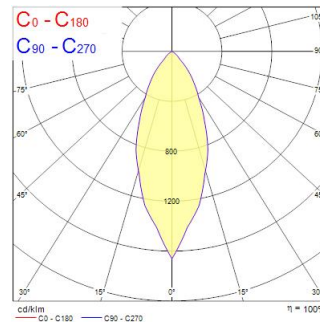
### Dimensions (mm)



### Photometrics

Distance [m]	Cone diameter [m]	Beam diameter [m]	Beam diameter [in]	Illuminance [lx]
0.5	0.37	50°	20.2"	476
		50°	20.2"	1984
1.0	0.74	50°	20.2"	1196
		50°	20.2"	496
1.5	1.10	50°	20.2"	532
		50°	20.2"	220
2.0	1.47	50°	20.2"	299
		50°	20.2"	124
2.5	1.84	50°	20.2"	191
		50°	20.2"	79
3.0	2.21	50°	20.2"	133
		50°	20.2"	56

Distance [m] Cone diameter [m] Illuminance [lx]  
 C0 - C180 (Half beam angle: 40.4°)



# START SPOT ALUMINIUM 720LM 827 IP44 BLK

Item No: 0005180

**SYLVANIA**

## General data

Product name	START SPOT ALUMINIUM 720LM 827 IP44 BLK
Technology	LED
Cap/Base	N/A
Housing	Aluminium
Mount	Ceiling recessed mounting
Built in presence detector	NONE
General application	Hospitality
Operating temperature range (°C)	-10°C...+35°C
Performance ambient temperature Tq (°C)	25
Virtual assistant compatibility	N/A
ETIM Class	EC001744
E-number FI	4278420
Warranty	3 years

## Optical data

Fixture luminous flux (lm)	720
Luminaire efficacy (lm/W)	80
Correlated colour temperature (k)	2700
Light colour	Candlelight
CRI (Ra)	80
Colour Variation Initial (SDCM)	SDCM6
Luminous Intensity (cd)	1400
Beam Angle (°)	40
Distribution type	Symmetric
Glare control	< 25
Photobiological Risk Group	RG1

## Electrical data

Total power consumption (W)	9
Primary Supply/Product voltage - min (V)	220
Primary Supply/Product voltage - max (V)	240
Lamp power factor	0.9
THD (at 230 V, 50 Hz, full load, at 100% dimming level) ≤ xx.x %	40
Electrical protection	Class II
Control gear required	No
Control gear type	LED driver constant current
Dimmable	Yes
Dimming method	Mains: leading / trailing edge
Minimum dimming level (%)	10
Min. drive current (mA)	100
Max. drive current (mA)	200
Drive current - Range (mA)	100mA / 200mA
Inrush Current (A)	10
Inrush Duration (µs)	150
Energy Efficiency Class (A->G) of contained light source	E
Nominal Frequency (Hz)	50/60Hz
LED Flickering Rate	Low (6% - 20%)
Max. products per 10A C Breaker	50
Max. products per 13A C Breaker	65
Max. products per 16A C Breaker	80
Max. products per 20A C Breaker	100
Max. products per 16A B Breaker	30

## Lifetime data

Lifespan L70 B50 | 47000

# START SPOT ALUMINIUM 720LM 827 IP44 BLK

Item No: 0005180

**SYLVANIA**

## Physical data

Housing colour	RAL 9005 - Jet black
IP rating	IP44/20
IK rating	IK07
Diffuser finish	Other
Diffuser material	None
Reflector finish	Matt
Nominal Product Height (mm)	64
Nominal Product Diameter (mm)	86
Weight (kg)	0.14
Recessed Depth (mm)	100

## Packaging

Product EAN number	5410288051802
Packaging single length / height (cm)	10.0
Packaging single width (cm)	10.0
Packaging single depth (cm)	8.5
DUN14 (inner)	15410288051809
Units per inner package	6
Packaging inner length / height (cm)	28.5
Packaging inner width (cm)	9.0
Packaging inner depth (cm)	19.0
DUN14 (outer)	25410288051806
Units per outer package	36
Packaging outer length / height (cm)	43.6
Packaging outer width (cm)	35.6
Packaging outer depth (cm)	29.3

## Safety data

Glow Wire Test (°C)	650
Optimal operating condition (°C)	-10-35