

ToLEDo Ball V7 250LM 840 E14 SL

Item No: 0029620

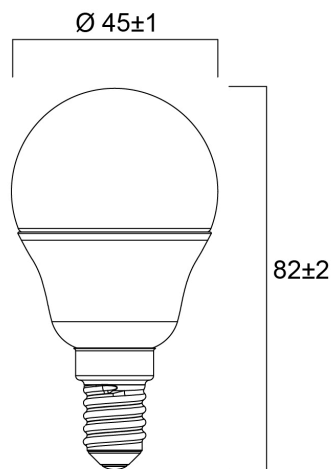
SYLVANIA



Compact and elegant design Suitable replacement for halogen, incandescent and compact fluorescent ball lamps Instant light at the flick of a switch Uniform light distribution Good colour rendering (CRI 80) Perfect for hotels, restaurants, lobbies, corridors, stairwells, reception areas Lower maintenance costs 15,000 hours average rated life

Technical Assets

Dimensions (mm)



Photometrics

ToLEDo Ball V7 250LM 840 E14 SL

Item No: 0029620

SYLVANIA

General data

| | |
|---|--|
| Product name | ToLEDo Ball V7 250LM 840 E14 SL |
| Technology | LED |
| Watt (Rated) (W) | 2.5 |
| Cap/Base | E14 |
| Fixture rating | Open |
| General application | Hospitality, Residential & Consumer |
| Operating temperature range (°C) | -20°C...+40°C |
| Performance ambient temperature Tq (°C) | 25 |
| ETIM Class | EC001959 |
| E-number FI | 4741007 |
| Warranty | 3 years |

Optical data

| | |
|--|------------|
| Useful luminous flux (Φ_{use}) | 250 |
| Luminous flux (Rated) (lm) | 250 |
| Correlated colour temperature (k) | 4000 |
| Light colour | Cool White |
| CRI (Ra) | 80 |
| Colour Variation Initial (SDCM) | SDCM6 |
| Photobiological Risk Group | RG0 |
| Lumen maintenance at end of nominal life (%) | 70 |

Electrical data

| | |
|---|---------|
| Power consumption (W) | 2.5 |
| Wattage (W) | 2.5 |
| Equivalent watt (W) | 25 |
| Primary Supply/Product voltage - min (V) | 220 |
| Primary Supply/Product voltage - max (V) | 240 |
| Control gear required | No |
| No. Of switching cycles before premature failures | >100000 |
| Dimmable | No |
| Inrush Current (A) | 1.5 |
| Inrush Duration (μ s) | 240 |
| Lamp Energy Label (class) | F |
| Nominal Frequency (Hz) | 50/60Hz |
| Max. products per 16A C Breaker | 107 |
| Max. products per 16A B Breaker | 53 |

Lifetime data

| | |
|----------------------------|-------|
| Lifespan L70 B50 | 15000 |
| Average life (Nominal) (h) | 15000 |
| Average life (Rated) (h) | 15000 |

Physical data

| | |
|-------------------------------|-------|
| Nominal Product Length (mm) | 82 |
| Nominal Product Diameter (mm) | 45 |
| Weight (kg) | 0.018 |

ToLEDo Ball V7 250LM 840 E14 SL

Item No: 0029620



Packaging

| | |
|---------------------------------------|----------------|
| Product EAN number | 5410288296203 |
| Packaging single length / height (cm) | 5.1 |
| Packaging single width (cm) | 5.1 |
| Packaging single depth (cm) | 9.5 |
| DUN14 (inner) | 15410288296200 |
| Units per outer package | 6 |
| Packaging outer length / height (cm) | 15.7 |
| Packaging outer width (cm) | 10.8 |
| Packaging outer depth (cm) | 10.5 |

Safety data

| | |
|-------------------------------------|--|
| Optimal operating condition (°C) | -20-40 |
| Breakage cleaning instructions | Not applicable |
| Special purpose lamp | No |
| Dry applications use only | Yes |
| Suitable for household illumination | Yes |
| Safety message | Not Suitable for totally enclosed fixtures |