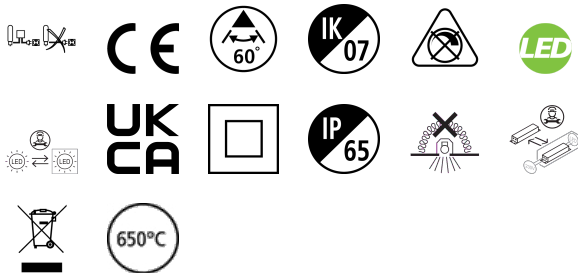


# Insaver Slim UGR19 IP65 150 1075lm 840

Item No: 0030451

**SYLVANIA**

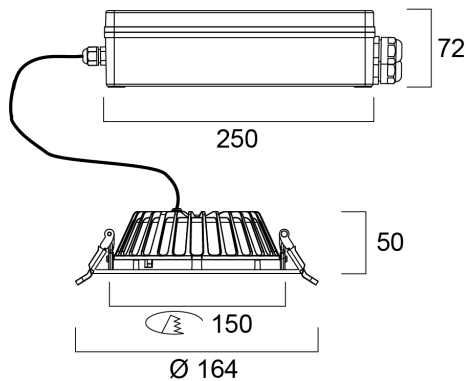
**PRO**<sup>TM</sup>



Insaver Slim is a ceiling recessed LED downlight (IP65 from the front and back), Die-cast aluminium body, loop in loop out connector for quick installation, Non dimmable LED driver, 9W; 1075lm; 119lm/W; 4000K; UGR <19 with shallow product depth 50mm. IK07 for the fixture, IK03 for the IP driver box. When using with EM kit (0046600& 0046601), protection IP65 kept only from the front. Meets TP(a) requirements.

## Technical Assets

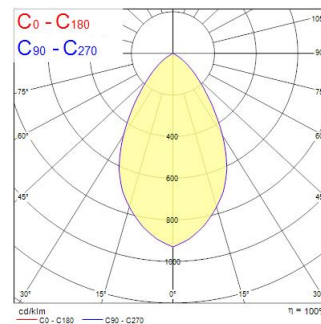
### Dimensions (mm)



### Photometrics

Distance [m]	Cone diameter [m]	Beam diameter [m]	Beam diameter [ft]	Illuminance [lx]
0.5	0.60	0.57	1.87	3915
1.0	1.20	1.14	3.74	979
1.5	1.80	1.71	5.61	436
2.0	2.39	2.28	7.48	245
2.5	2.99	2.85	9.35	157
3.0	3.58	3.42	11.22	109

Distance [m] Cone diameter [m] Illuminance [lx]  
 — C0 - C180 (Half beam angle: 61.8°)



# Insaver Slim UGR19 IP65 150 1075lm 840

Item No: 0030451

**SYLVANIA**

## General data

Product name	Insaver Slim UGR19 IP65 150 1075lm 840
Technology	LED
Cap/Base	N/A
Housing	Aluminium
Mount	Ceiling recessed mounting
Built in presence detector	NONE
General application	Hospitality, Office, Retail
Operating temperature range (°C)	-20°C...+40°C
Virtual assistant compatibility	N/A
ETIM Class	EC001744
E-number FI	4579582
Warranty	5 years

## Optical data

Fixture luminous flux (lm)	1075
Luminaire efficacy (lm/W)	119
Correlated colour temperature (k)	4000
Light colour	Neutral White
CRI (Ra)	80
Colour Variation Initial (SDCM)	SDCM3
Beam Angle (°)	60
Distribution type	Symmetric
Glare control	< 19
Photobiological Risk Group	RG1

## Electrical data

Total power consumption (W)	9
Lamp power factor	0.9
THD (at 230 V, 50 Hz, full load, at 100% dimming level) ≤ xx.x %	20
Electrical protection	Class II
Control gear required	Yes
Control gear type	LED driver constant current
No. Of switching cycles before premature failures	>100000
Dimmable	No
Dimming method	N/A
Drive current (mA)	290
Inrush Current (A)	7.48
Inrush Duration (µs)	160
Energy Efficiency Class (A->G) of contained light source	D
Nominal Frequency (Hz)	50/60Hz
LED Flickering Rate	Ultra low (5% or less)
Max. products per 10A C Breaker	56
Max. products per 13A C Breaker	70
Max. products per 16A C Breaker	88
Max. products per 20A C Breaker	110
Max. products per 16A B Breaker	52
Connectable conductor cross section - Min (mm <sup>2</sup> )	0.52
Connectable conductor cross section - Max (mm <sup>2</sup> )	1.52

## Lifetime data

Lifespan L70 B50	90000
Lifespan L80 B20	90000
Lifespan L90 B10	39000

# Insaver Slim UGR19 IP65 150 1075lm 840

Item No: 0030451



## Physical data

Housing colour	RAL 9003 - Signal white
IP rating	IP65
IK rating	IK07
Diffuser finish	Other
Diffuser material	None
Reflector finish	Not Applicable
Nominal Product Height (mm)	70
Nominal Product Diameter (mm)	164
Weight (kg)	0.811
Recessed Depth (mm)	150

## Packaging

Product EAN number	5410288304519
Packaging single length / height (cm)	33.0
Packaging single width (cm)	26.5
Packaging single depth (cm)	11.0
DUN14 (inner)	15410288304516
Units per outer package	8
Packaging outer length / height (cm)	55.0
Packaging outer width (cm)	34.5
Packaging outer depth (cm)	46.0

## Safety data

Glow Wire Test (°C)	650
Optimal operating condition (°C)	-20-40