

Sylvania Granit IP65 DALI 37200LM 840 Aisle

Item No: 0039138



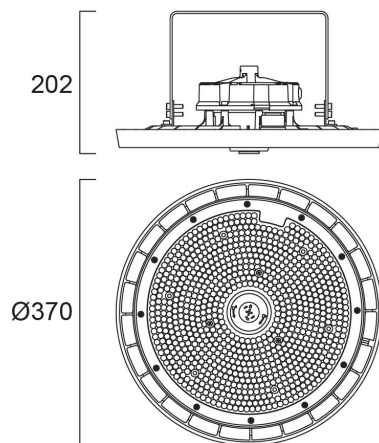
PROTM



Interior LED Highbay, comes complete with 1500mm flying lead, mounting bracket for surface mounting, Traffic black (RAL9017) aluminium housing with PC lens, IP65, IK08, Class I, 4000K, CRI80, DALI dimmable, 37200lm, 218W, 171lm/W, Aisle optic (30 x 70°), 105.000hrs L80B50 lifespan, 370 x 202mm (D x H) dimensions, 3.2kg weight, operating temperature range from -30 to +50°C.

Technical Assets

Dimensions (mm)

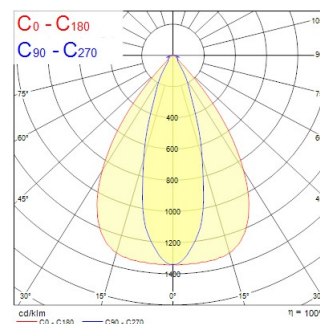


Photometrics

Distance [m]	Cone diameter [m]	E171	E180	E270
0.5	0.25 0.70	19032	16.1° 3852	35.1° 5824
1.0	0.50 1.41	4648	16.1° 2110	35.1° 1354
1.5	0.75 2.11	2105	16.1° 967	35.1° 611
2.0	1.00 2.81	1242	16.1° 533	35.1° 343
2.5	1.25 3.51	795	16.1° 334	35.1° 221
3.0	1.50 4.22	559	16.1° 249	35.1° 153

Distance [m] Cone diameter [m] Illuminance [lx]

— C0 - C180 (Half beam angle: 75.2°)
— C90 - C270 (Half beam angle: 32.2°)



Sylvania Granit IP65 DALI 37200LM 840 Aisle

Item No: 0039138



General data

Product name	Sylvania Granit IP65 DALI 37200LM 840 Aisle
Technology	LED
Cap/Base	N/A
Housing	Aluminium
Mount	Ceiling surface mounting
Built in presence detector	NONE
General application	Logistics & Industry
Operating temperature range (°C)	-30°C...+50°C
ETIM Class	EC001716
E-number FI	4357202
Warranty	5 years

Optical data

Fixture luminous flux (lm)	37200
Luminaire efficacy (lm/W)	171
Correlated colour temperature (k)	4000
Light colour	Neutral White
CRI (Ra)	80
Colour Variation Initial (SDCM)	SDCM3
Beam Angle (°)	70*30
Distribution type	Asymmetric
Glare control	< 25
Photobiological Risk Group	RG1
Luminous flux (emergency) (lm)	1200

Electrical data

Emergency type	
Total power consumption (W)	218
Primary Supply/Product voltage - min (V)	220.0
Primary Supply/Product voltage - max (V)	240.0
Lamp power factor	0.95
THD (at 230 V, 50 Hz, full load, at 100% dimming level) ≤ xx.x %	15
Electrical protection	Class I
Control gear required	No
Control gear type	LED driver constant current
Dimmable	Yes
Dimming method	DALI-2
Inrush Current (A)	80
Inrush Duration (µs)	350
Energy Efficiency Class (A->G) of contained light source	B
Nominal Frequency (Hz)	50/60Hz
Max. products per 10A C Breaker	6
Max. products per 13A C Breaker	7
Max. products per 16A C Breaker	9
Max. products per 20A C Breaker	12
Max. products per 10A B Breaker	5
Max. products per 13A B Breaker	7
Max. products per 16A B Breaker	8
Max. products per 20A B Breaker	10
Connectable conductor cross section - Min (mm ²)	1
Connectable conductor cross section - Max (mm ²)	1.5

Sylvania Granit IP65 DALI 37200LM 840 Aisle

Item No: 0039138

SYLVANIA

Lifetime data

Lifespan L70 B50	120000
Lifespan L70 B20	120000
Lifespan L70 B10	120000
Lifespan L80 B50	105000
Lifespan L80 B20	91000
Lifespan L80 B10	84000
Lifespan L90 B50	51000
Lifespan L90 B20	44000
Lifespan L90 B10	41000

Physical data

Housing colour	RAL 9017 - Traffic black
IP rating	IP65
IK rating	IK08
Diffuser material	PC Polycarbonate
Reflector finish	Matt
Nominal Product Height (mm)	202
Nominal Product Diameter (mm)	370
Weight (kg)	3.23

Packaging

Product EAN number	5410288391380
Packaging single length / height (cm)	42.0
Packaging single width (cm)	40.1
Packaging single depth (cm)	16.0
DUN14 (inner)	05410288391380
Units per outer package	1
Packaging outer length / height (cm)	42.0
Packaging outer width (cm)	40.1
Packaging outer depth (cm)	16.0

Safety data

Glow Wire Test (°C)	850
Optimal operating condition (°C)	-30-50