

START Panel UGR19 600x600 4500lm 830/840 SSA04

Item No: 0048096

SYLVANIA

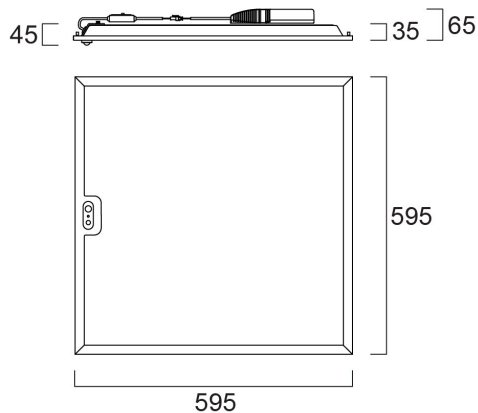
STARTTM



START Panel is a range of recessed integrated LED panels for general indoor lighting applications such as breakout areas, offices and meeting rooms. With the CCT switch the customer is enabled to switch between 3000K and 4000K colour temperatures. Max. lumen output: 4500lm; Max. drive current: 850mA; Lifespan: 100.000Hrs L80:B50; CRI 80; Efficacy up to: 132Lm/W; Glare control <19; IK03; IP40 (from the front); Class II; Tp(b) rated diffuser that may not burn at a speed of more than 50mm per minute. SylSmart Connected (SSA) enabled.

Technical Assets

Dimensions (mm)

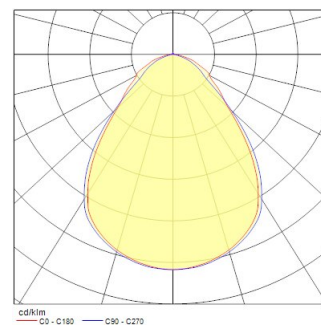


Photometrics

Distance [m]	Cone diameter [m]	E107	E108	E109	E110	E111	E112	E113	E114	E115	E116	E117	E118	E119	E120	ILLUMINANCE [lx]
0.5	0.91 0.96	1000	1000	1000	1000	1000	1000	1000	1000	1000	1000	1000	1000	1000	1000	1000
1.0	1.83 1.92	2500	2500	2500	2500	2500	2500	2500	2500	2500	2500	2500	2500	2500	2500	2500
1.5	2.74 2.88	1000	1000	1000	1000	1000	1000	1000	1000	1000	1000	1000	1000	1000	1000	1000
2.0	3.65 3.84	500	500	500	500	500	500	500	500	500	500	500	500	500	500	500
2.5	4.57 4.80	300	300	300	300	300	300	300	300	300	300	300	300	300	300	300
3.0	5.48 5.76	200	200	200	200	200	200	200	200	200	200	200	200	200	200	200

Distance [m] Cone diameter [m] Illuminance [lx]

— C0 - C180 (Half beam angle: 81.8°) — C90 - C270 (Half beam angle: 84.8°)



START Panel UGR19 600x600 4500lm 830/840 SSA04

Item No: 0048096

SYLVANIA

General data

Product name	START Panel UGR19 600x600 4500lm 830/840 SSA04
Technology	LED
Cap/Base	N/A
Housing	Steel
Mount	Ceiling recessed mounting
Built in presence detector	PIR
General application	Office, Education
Operating temperature range (°C)	5°C...+25°C
Virtual assistant compatibility	N/A
ETIM Class	EC002892
Warranty	5 years

Optical data

Fixture luminous flux (lm)	4500
Luminaire efficacy (lm/W)	132
Light colour	Warm White or Neutral White
CRI (Ra)	80
Colour Variation Initial (SDCM)	SDCM3
Beam Angle (°)	85
Distribution type	Symmetric
Glare control	< 19
Photobiological Risk Group	RG0

Electrical data

Emergency type	
Total power consumption (W)	34
Primary Supply/Product voltage - min (V)	220.0
Primary Supply/Product voltage - max (V)	240.0
Lamp power factor	0.9
THD (at 230 V, 50 Hz, full load, at 100% dimming level) ≤ xx.x %	10.0
Electrical protection	Class II
Control gear type	LED driver constant current
Dimmable	Yes
Dimming method	SylSmart Connected (SSA)
Drive current (mA)	850
Inrush Current (A)	15
Inrush Duration (µs)	220
Energy Efficiency Class (A->G) of contained light source	C
Nominal Frequency (Hz)	50/60Hz
LED Flickering Rate	Ultra low (5% or less)
Max. products per 10A C Breaker	15
Max. products per 13A C Breaker	20
Max. products per 16A C Breaker	25
Max. products per 20A C Breaker	31
Max. products per 10A B Breaker	9
Max. products per 13A B Breaker	12
Max. products per 16A B Breaker	15
Max. products per 20A B Breaker	19
Connectable conductor cross section - Min (mm ²)	0.75
Connectable conductor cross section - Max (mm ²)	2.5

Lifetime data

Lifespan L70 B50 | 100000

START Panel UGR19 600x600 4500lm 830/840 SSA04

Item No: 0048096

SYLVANIA

Physical data

Housing colour	RAL 9003 - Signal white
IP rating	IP40/20
IK rating	IK03
Diffuser finish	Diffuse
Diffuser material	PS Polystyrene
Nominal Product Length (mm)	595
Nominal Product Width (mm)	595
Nominal Product Height (mm)	43
Weight (kg)	2.1

Packaging

Product EAN number	5410288480961
Packaging single length / height (cm)	67.4
Packaging single width (cm)	5.5
Packaging single depth (cm)	60.0
DUN14 (inner)	15410288480968
Units per outer package	4
Packaging outer length / height (cm)	67.7
Packaging outer width (cm)	24.2
Packaging outer depth (cm)	61.8

Safety data

Glow Wire Test (°C)	650
Optimal operating condition (°C)	5-25