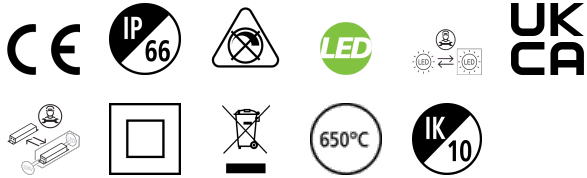


START SURFACE IP66 1500LM 840 IK10 BLK

Item No: 0049003

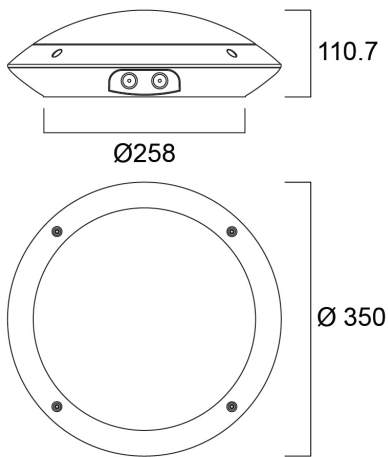
SYLVANIA



LED exterior surface mounted luminaire, 350mm diameter, 1500lm as max. lumen output, can be adjusted down to 730lm by internal switch, 14,5W power consumption max., 103lm/W efficacy, 4000K color temperature, CRI80, non-dimmable, IP66, IK10, 50,000 hours (L70), black housing, vandal resistant, supplied with anti-theft screws

Technical Assets

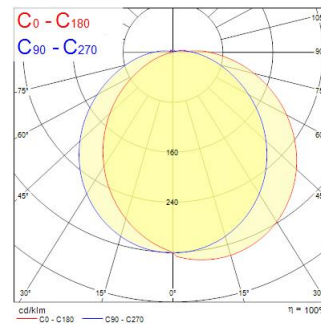
Dimensions (mm)



Photometrics

Distance [m]	Cone diameter [m]	Beam diameter [m]	Beam diameter [ft]	Beam diameter [in]	Illuminance [lx]
0.5	1.58 1.32	0.79 0.66	2.59 2.17	10.2 8.6	1920 149
1.0	3.15 2.63	1.58 1.32	5.18 4.34	20.4 17.2	480 37
1.5	4.73 3.95	2.36 1.97	7.77 6.50	30.6 25.6	214 17
2.0	6.30 5.27	3.15 2.63	10.2 8.6	40.8 34	121 9
2.5	7.88 6.58	3.94 3.29	12.8 10.8	51.0 43	77 6
3.0	9.45 7.90	4.73 3.95	15.4 12.8	61.2 51	54 4

Distance [m] Cone diameter [m] Illuminance [lx]
 — C0 - C180 (Half beam angle: 105.6°)
 — C90 - C270 (Half beam angle: 115.2°)



START SURFACE IP66 1500LM 840 IK10 BLK

Item No: 0049003

SYLVANIA

General data

Product name	START SURFACE IP66 1500LM 840 IK10 BLK
Technology	LED
Housing	PC Polycarbonate
Mount	Ceiling surface mounting, Wall surface mounted
Environment	Indoor, Outdoor
General application	Hospitality
Operating temperature range (°C)	-20°C...+45°C
Performance ambient temperature Tq (°C)	25
ETIM Class	EC002892
E-number FI	4579481
Warranty	5 years

Optical data

Fixture luminous flux (lm)	1500
Luminaire efficacy (lm/W)	103
Correlated colour temperature (k)	4000
Colour Code	840
Light colour	Neutral White
CRI (Ra)	80
Colour Variation Initial (SDCM)	SDCM6
Beam Angle (°)	120
Photobiological Risk Group	RG0

Electrical data

Total power consumption (W)	14.5
Primary Supply/Product voltage - min (V)	198.0
Primary Supply/Product voltage - max (V)	264.0
Lamp power factor	0.9
Electrical protection	Class II
Dimmable	No
Drive current (mA)	450
Inrush Current (A)	15
Inrush Duration (µs)	200
Nominal Frequency (Hz)	50/60Hz
LED Flickering Rate	Ultra low (5% or less)
Max. products per 10A C Breaker	35
Max. products per 13A C Breaker	45
Max. products per 16A C Breaker	56
Max. products per 20A C Breaker	70

Lifetime data

Lifespan L70 B50	50000
------------------	-------

Physical data

Housing colour	RAL 9011 - Graphite black
IP rating	IP66
IK rating	IK10
Diffuser finish	Opal
Diffuser material	PC Polycarbonate
Nominal Product Height (mm)	111
Nominal Product Diameter (mm)	350
Weight (kg)	1.25

START SURFACE IP66 1500LM 840 IK10 BLK

Item No: 0049003



Packaging

Product EAN number	5410288490038
Packaging single length / height (cm)	35.0
Packaging single width (cm)	35.0
Packaging single depth (cm)	11.1
DUN14 (inner)	15410288490035
Units per outer package	8
Packaging outer length / height (cm)	72.0
Packaging outer width (cm)	37.0
Packaging outer depth (cm)	49.0

Safety data

Glow Wire Test (°C)	650
Optimal operating condition (°C)	-20-45