

START eco Downlight 5in1 50-125 600LM

Item No: 0053412

SYLVANIA

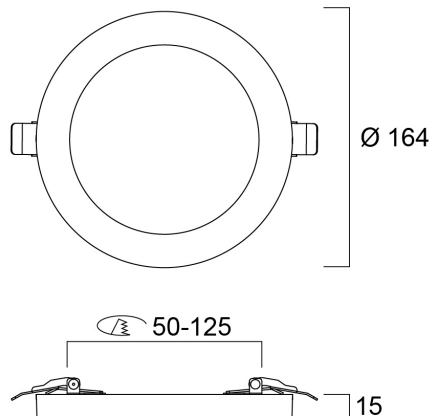
STARTTM



START eco Downlight 5in1 is an integrated LED recessed / surface mounted downlight with built in non dimmable driver. Colour temperature (3000K, 4000K and 6500K) can be adjusted by a 3-way switch located on the back of the fixture. Adaptability to various cut-outs from 50mm to 125mm. 6W, 600lm, 100lm/W.

Technical Assets

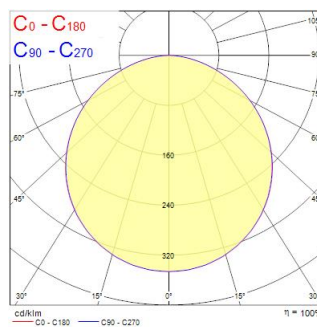
Dimensions (mm)



Photometrics

Distance [m]	Cone diameter [m]	E171 E200	E171 E200	300 350
0.5	1.51	100	100	10
1.0	3.02	25	25	4
1.5	4.53	11	11	2
2.0	6.04	6	6	1
2.5	7.55	4	4	0.7
3.0	9.07	3	3	0.5

Distance [m] Cone diameter [m]
C0 - C180 (Half beam angle: 113.0°)
Illuminance [lx]



START eco Downlight 5in1 50-125 600LM

Item No: 0053412

SYLVANIA

General data

Product name	START eco Downlight 5in1 50-125 600LM
Technology	LED
Housing	PC Polycarbonate
Mount	Ceiling recessed mounting
General application	Residential & Consumer
Operating temperature range (°C)	-20°C...+40°C
Performance ambient temperature Tq (°C)	40
ETIM Class	EC001744
E-number FI	4278099
Warranty	3 years

Optical data

Fixture luminous flux (lm)	600
Luminaire efficacy (lm/W)	100
Correlated colour temperature (k)	4000
CRI (Ra)	80
Colour Variation Initial (SDCM)	SDCM6
Beam Angle (°)	110
Distribution type	Symmetric
Glare control	< 22
Photobiological Risk Group	RG0

Electrical data

Total power consumption (W)	6
THD (at 230 V, 50 Hz, full load, at 100% dimming level) ≤ xx.x %	22
Electrical protection	Class II
Control gear type	LED driver constant current
Dimmable	No
Drive current (mA)	65
Inrush Current (A)	25
Inrush Duration (µs)	100
Energy Efficiency Class (A->G) of contained light source	D
Nominal Frequency (Hz)	50/60Hz
LED Flickering Rate	Ultra low (5% or less)
Max. products per 10A C Breaker	100
Max. products per 13A C Breaker	130
Max. products per 16A C Breaker	160
Max. products per 20A C Breaker	200

Lifetime data

Lifespan L70 B50	30000
------------------	-------

Physical data

Housing colour	RAL 9003 - Signal white
IP rating	IP20
IK rating	IK03
Nominal Product Length (mm)	164
Nominal Product Width (mm)	164
Nominal Product Height (mm)	15
Nominal Product Diameter (mm)	164
Weight (kg)	0.315
Recessed Depth (mm)	50

START eco Downlight 5in1 50-125 600LM

Item No: 0053412

SYLVANIA

Packaging

Product EAN number	5410288534121
Packaging single length / height (cm)	20.3
Packaging single width (cm)	19.2
Packaging single depth (cm)	4.8
DUN14 (inner)	15410288534128
Units per outer package	20
Packaging outer length / height (cm)	43.0
Packaging outer width (cm)	26.7
Packaging outer depth (cm)	40.8

Safety data

Glow Wire Test (°C)	650
Optimal operating condition (°C)	-20-40