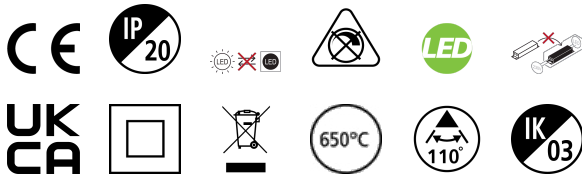


START eco Downlight 5in1 50-125 1150LM

Item No: 0053413

SYLVANIA

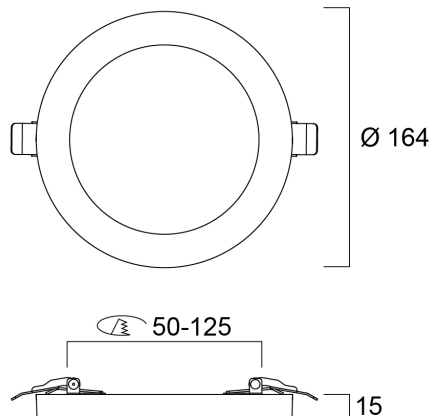
STARTTM



START eco Downlight 5in1 is an integrated LED recessed / surface mounted downlight with built in non dimmable driver. Colour temperature (3000K, 4000K and 6500K) can be adjusted by a 3-way switch located on the back of the fixture. Adaptability to various cut-outs from 50mm to 125mm. 11W, 1150lm, 105lm/W.

Technical Assets

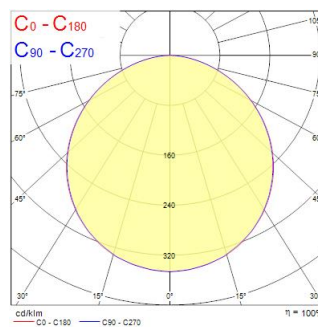
Dimensions (mm)



Photometrics

Distance [m]	Cone diameter [m]	Beam diameter [m]	Beam diameter [ft]	Illuminance [lx]
0.5	1.50 1.52	0.07 0.08	0.23 0.25	1487 128
1.0	3.00 3.04	0.14 0.16	0.46 0.50	364 21
1.5	4.50 4.57	0.21 0.24	0.69 0.77	162 14
2.0	6.00 6.08	0.28 0.32	0.92 1.04	91 8
2.5	7.50 7.61	0.35 0.40	1.15 1.30	68 6
3.0	9.00 9.13	0.42 0.48	1.38 1.56	40 3

Distance [m] Cone diameter [m] Illuminance [lx]
 C0 - C180 (Half beam angle: 113.4°)
 C90 - C270 (Half beam angle: 112.9°)



START eco Downlight 5in1 50-125 1150LM

Item No: 0053413

SYLVANIA

General data

Product name	START eco Downlight 5in1 50-125 1150LM
Technology	LED
Housing	PC Polycarbonate
Mount	Ceiling recessed mounting
General application	Residential & Consumer
Operating temperature range (°C)	-20°C...+40°C
Performance ambient temperature Tq (°C)	40
ETIM Class	EC001744
E-number FI	4278100
Warranty	3 years

Optical data

Fixture luminous flux (lm)	1150
Luminaire efficacy (lm/W)	105
Correlated colour temperature (k)	4000
CRI (Ra)	80
Colour Variation Initial (SDCM)	SDCM6
Beam Angle (°)	110
Distribution type	Symmetric
Glare control	< 23
Photobiological Risk Group	RG0

Electrical data

Total power consumption (W)	11
THD (at 230 V, 50 Hz, full load, at 100% dimming level) ≤ xx.x %	22
Electrical protection	Class II
Control gear type	LED driver constant current
Dimmable	No
Drive current (mA)	130
Inrush Current (A)	25
Inrush Duration (µs)	100
Energy Efficiency Class (A->G) of contained light source	D
Nominal Frequency (Hz)	50/60Hz
LED Flickering Rate	Ultra low (5% or less)
Max. products per 10A C Breaker	83
Max. products per 13A C Breaker	108
Max. products per 16A C Breaker	133
Max. products per 20A C Breaker	167

Lifetime data

Lifespan L70 B50	30000
------------------	-------

Physical data

Housing colour	RAL 9003 - Signal white
IP rating	IP20
IK rating	IK03
Nominal Product Height (mm)	15
Nominal Product Diameter (mm)	164
Weight (kg)	0.315
Recessed Depth (mm)	50

START eco Downlight 5in1 50-125 1150LM

Item No: 0053413

SYLVANIA

Packaging

Product EAN number	5410288534138
Packaging single length / height (cm)	20.3
Packaging single width (cm)	19.2
Packaging single depth (cm)	4.8
DUN14 (inner)	15410288534135
Units per outer package	20
Packaging outer length / height (cm)	43.0
Packaging outer width (cm)	26.7
Packaging outer depth (cm)	40.8

Safety data

Glow Wire Test (°C)	650
Optimal operating condition (°C)	-20-40