

START eco Downlight 145 950lm 840

Item No: 0053915

SYLVANIA

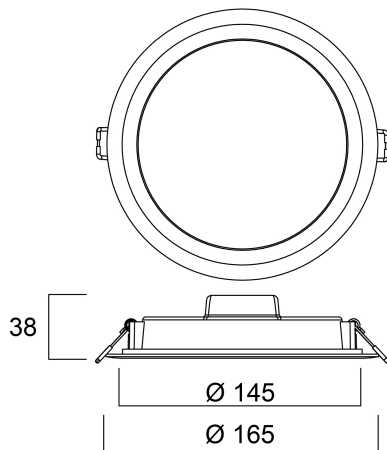
STARTTM



START eco Downlight is an integrated LED recessed downlight with built-in non dimmable driver; Loop in loop out connector allows for quick installation; 12W; 950Lm; 79Lm/W; 4000K.

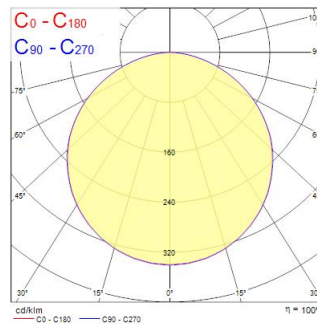
Technical Assets

Dimensions (mm)



Photometrics

Distance [m]	Cone diameter [m]	Beam diameter [m]	Beam angle [°]	Illuminance [lx]
0.5	1.56	0.78	90°	1207
	1.56	0.78	87.3°	103
	1.56	0.78	84.6°	101
1.0	3.12	1.56	90°	304
	3.12	1.56	87.3°	26
	3.12	1.56	84.6°	25
1.5	4.67	2.34	90°	144
	4.67	2.34	87.3°	11
	4.67	2.34	84.6°	11
2.0	6.22	3.11	90°	61
	6.22	3.11	87.3°	6
	6.22	3.11	84.6°	6
2.5	7.78	3.89	90°	32
	7.78	3.89	87.3°	4
	7.78	3.89	84.6°	4
3.0	9.33	4.67	90°	18
	9.33	4.67	87.3°	3
	9.33	4.67	84.6°	3



START eco Downlight 145 950lm 840

Item No: 0053915

SYLVANIA

General data

Product name	START eco Downlight 145 950lm 840
Technology	LED
Cap/Base	N/A
Housing	PC Polycarbonate
Mount	Ceiling recessed mounting
General application	Retail
Operating temperature range (°C)	-20°C...+40°C
Performance ambient temperature Tq (°C)	25
ETIM Class	EC001744
Warranty	3 years

Optical data

Fixture luminous flux (lm)	950
Luminaire efficacy (lm/W)	79
Correlated colour temperature (k)	4000
Light colour	Neutral White
CRI (Ra)	80
Colour Variation Initial (SDCM)	SDCM6
Beam Angle (°)	110
Distribution type	Symmetric
Glare control	< 28
Photobiological Risk Group	RG0

Electrical data

Total power consumption (W)	12
Primary Supply/Product voltage - min (V)	220
Primary Supply/Product voltage - max (V)	240
Lamp power factor	0.5
THD (at 230 V, 50 Hz, full load, at 100% dimming level) ≤ xx.x %	115.0
Electrical protection	Class II
Control gear required	No
Dimmable	No
Dimming method	N/A
Drive current (mA)	85
Inrush Current (A)	9
Inrush Duration (µs)	180
Energy Efficiency Class (A->G) of contained light source	F
Nominal Frequency (Hz)	50/60Hz
LED Flickering Rate	Medium (21% - 40%)
Max. products per 10A C Breaker	109
Max. products per 13A C Breaker	142
Max. products per 16A C Breaker	175
Max. products per 20A C Breaker	220
Max. products per 10A B Breaker	64
Max. products per 13A B Breaker	84
Max. products per 16A B Breaker	104
Max. products per 20A B Breaker	131

Lifetime data

Lifespan L70 B50	30000
------------------	-------

START eco Downlight 145 950lm 840

Item No: 0053915

SYLVANIA

Physical data

Housing colour	RAL 9003 - Signal white
IP rating	IP20
IK rating	IK02
Diffuser finish	Opal
Diffuser material	PC Polycarbonate
Nominal Product Height (mm)	38
Nominal Product Diameter (mm)	165
Weight (kg)	0.184

Packaging

Product EAN number	5410288539157
Packaging single length / height (cm)	19.5
Packaging single width (cm)	4.5
Packaging single depth (cm)	16.5
DUN14 (inner)	15410288539154
Units per outer package	12
Packaging outer length / height (cm)	35.4
Packaging outer width (cm)	21.3
Packaging outer depth (cm)	30.3

Safety data

Glow Wire Test (°C)	650
Optimal operating condition (°C)	-20-40