

# Sylflat 155 IP44 1000lm 830 DIM

Item No: 0053952

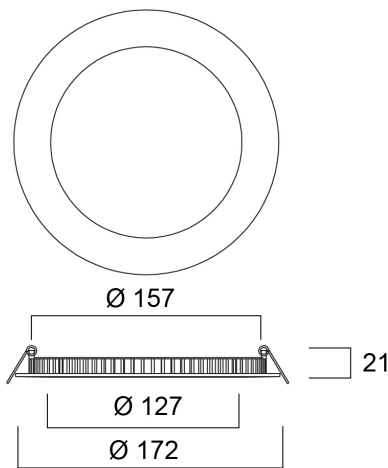
**SYLVANIA**



Sylflat DIM is an integrated LED recessed downlight with separated phase dimmable driver and loop in- out box, 12W; 1000Lm; 83Lm/W; 3000K; IP44 rated from the front; 50,000hrs (L70B50).

## Technical Assets

### Dimensions (mm)

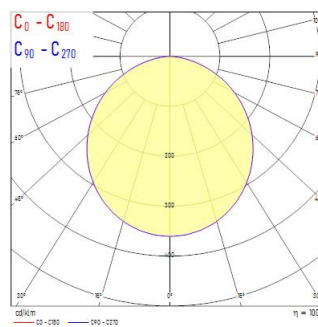


### Photometrics

0.5	1.43 1.43	1277 E107 E100 55.1° E100 55.0°
1.0	2.87 2.86	344 E107 E100 55.1° E100 55.0°
1.5	4.30 4.28	153 E107 E100 55.1° E100 55.0°
2.0	5.73 5.71	86 E107 E100 55.1° E100 55.0°
2.5	7.17 7.14	55 E107 E100 55.1° E100 55.0°
3.0	8.60 8.57	35 E107 E100 55.1° E100 55.0°

Distance [m]      Core diameter [m]      Illuminance [lx]

— C0 - C180 (Half beam angle: 110.0°)  
— C90 - C270 (Half beam angle: 110.2°)



# Sylflat 155 IP44 1000lm 830 DIM

Item No: 0053952

**SYLVANIA**

## General data

Product name	Sylflat 155 IP44 1000lm 830 DIM
Technology	LED
Housing	Aluminium
Mount	Ceiling recessed mounting
General application	Hospitality
Operating temperature range (°C)	-20°C...+40°C
Performance ambient temperature Tq (°C)	25
ETIM Class	EC001744
E-number FI	4278186
Warranty	5 years

## Optical data

Fixture luminous flux (lm)	1000
Luminaire efficacy (lm/W)	83
Correlated colour temperature (k)	3000
Light colour	Warm White
CRI (Ra)	80
Colour Variation Initial (SDCM)	SDCM3
Beam Angle (°)	120
Distribution type	Symmetric
Glare control	< 28
Photobiological Risk Group	RG0

## Electrical data

Total power consumption (W)	12
Primary Supply/Product voltage - min (V)	220
Primary Supply/Product voltage - max (V)	240
Lamp power factor	0.9
THD (at 230 V, 50 Hz, full load, at 100% dimming level) ≤ xx.x %	20.0
Electrical protection	Class II
Control gear required	No
Control gear type	LED driver constant current
Dimmable	Yes
Dimming method	Mains: leading / trailing edge
Drive current (mA)	300
Inrush Current (A)	2.35
Inrush Duration (µs)	120
Energy Efficiency Class (A->G) of contained light source	E
Nominal Frequency (Hz)	50Hz
LED Flickering Rate	Ultra low (5% or less)
Max. products per 10A C Breaker	95
Max. products per 13A C Breaker	124
Max. products per 16A C Breaker	152
Max. products per 20A C Breaker	190
Max. products per 10A B Breaker	95
Max. products per 13A B Breaker	124
Max. products per 16A B Breaker	152
Max. products per 20A B Breaker	190

## Lifetime data

Lifespan L70 B50	60000
Lifespan L90 B10	23000

# Sylflat 155 IP44 1000lm 830 DIM

Item No: 0053952

**SYLVANIA**

## Physical data

Housing colour	RAL 9003 - Signal white
IP rating	IP44/20
IK rating	IK06
Diffuser finish	Opal
Diffuser material	PS Polystyrene
Nominal Product Height (mm)	21
Nominal Product Diameter (mm)	172
Weight (kg)	0.327

## Packaging

Product EAN number	5410288539522
Packaging single length / height (cm)	22.0
Packaging single width (cm)	17.5
Packaging single depth (cm)	4.2
DUN14 (inner)	15410288539529
Units per outer package	10
Packaging outer length / height (cm)	36.5
Packaging outer width (cm)	23.0
Packaging outer depth (cm)	23.5

## Safety data

Glow Wire Test (°C)	650
Optimal operating condition (°C)	-20-40