

Sylflat 155 IP44 1100lm 840 DIM

Item No: 0053953

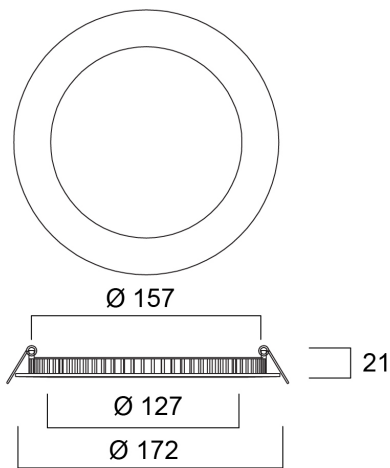
SYLVANIA



Sylflat DIM is an integrated LED recessed downlight with separated phase dimmable driver and loop in- out box, 12W; 1100Lm; 92Lm/W; 4000K; IP44 rated from the front; 50,000hrs (L70B50).

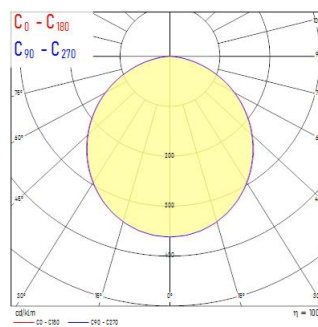
Technical Assets

Dimensions (mm)



Photometrics

Distance [m]	Core diameter [m]	Illuminance [lx]
0.5	1.43	1504
	1.42	149
1.0	2.87	398
	2.84	37
1.5	4.30	178
	4.26	17
2.0	5.73	99
	5.67	9
2.5	7.17	63
	7.09	6
3.0	8.60	44
	8.51	4



Sylflat 155 IP44 1100lm 840 DIM

Item No: 0053953

SYLVANIA

General data

Product name	Sylflat 155 IP44 1100lm 840 DIM
Technology	LED
Housing	Aluminium
Mount	Ceiling recessed mounting
General application	Hospitality
Operating temperature range (°C)	-20°C...+40°C
Performance ambient temperature Tq (°C)	25
ETIM Class	EC001744
E-number FI	4278187
Warranty	5 years

Optical data

Fixture luminous flux (lm)	1100
Luminaire efficacy (lm/W)	92
Correlated colour temperature (k)	4000
Light colour	Cool White
CRI (Ra)	80
Colour Variation Initial (SDCM)	SDCM3
Beam Angle (°)	120
Distribution type	Symmetric
Glare control	< 28
Photobiological Risk Group	RG0

Electrical data

Total power consumption (W)	12
Lamp power factor	0.9
THD (at 230 V, 50 Hz, full load, at 100% dimming level) ≤ xx.x %	20.0
Electrical protection	Class II
Control gear required	No
Control gear type	LED driver constant current
Dimmable	Yes
Dimming method	Mains: leading / trailing edge
Drive current (mA)	300
Inrush Current (A)	2.35
Inrush Duration (µs)	120
Energy Efficiency Class (A->G) of contained light source	D
Nominal Frequency (Hz)	50Hz
LED Flickering Rate	Ultra low (5% or less)
Max. products per 10A C Breaker	95
Max. products per 13A C Breaker	124
Max. products per 16A C Breaker	152
Max. products per 20A C Breaker	190
Max. products per 10A B Breaker	95
Max. products per 13A B Breaker	124
Max. products per 16A B Breaker	152
Max. products per 20A B Breaker	190

Lifetime data

Lifespan L70 B50	60000
Lifespan L90 B10	23000

Sylflat 155 IP44 1100lm 840 DIM

Item No: 0053953

SYLVANIA

Physical data

Housing colour	RAL 9003 - Signal white
IP rating	IP44/20
IK rating	IK06
Diffuser finish	Opal
Diffuser material	PS Polystyrene
Nominal Product Length (mm)	172
Nominal Product Width (mm)	172
Nominal Product Height (mm)	21
Nominal Product Diameter (mm)	172
Weight (kg)	0.327

Packaging

Product EAN number	5410288539539
Packaging single length / height (cm)	22.0
Packaging single width (cm)	17.5
Packaging single depth (cm)	4.2
DUN14 (inner)	15410288539536
Units per outer package	10
Packaging outer length / height (cm)	36.5
Packaging outer width (cm)	23.0
Packaging outer depth (cm)	23.5

Safety data

Glow Wire Test (°C)	650
Optimal operating condition (°C)	-20-40