

Sylflat 205 IP44 1550lm 830 DIM

Item No: 0053954

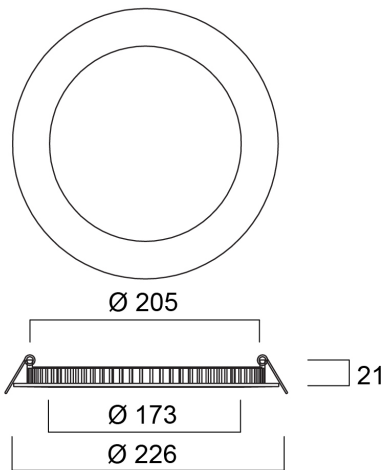
SYLVANIA



Sylflat DIM is an integrated LED recessed downlight with separated phase dimmable driver and loop in- out box, 17W; 1550Lm; 91Lm/W; 3000K; IP44 rated from the front; 50,000hrs (L70B50).

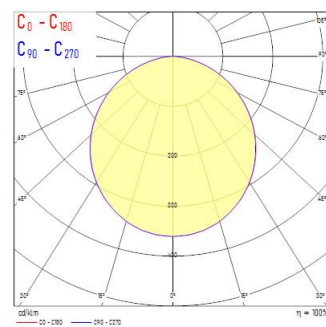
Technical Assets

Dimensions (mm)



Photometrics

Distance [m]	Cone diameter [m]	Beam diameter [m]	Beam angle [°]	Illuminance [lx]
0.5	1.43 1.41	0.57 0.56	55.0° 54.7°	2207 209
1.0	2.86 2.82	1.14 1.12	55.0° 54.7°	552 52
1.5	4.29 4.24	1.71 1.68	55.0° 54.7°	245 23
2.0	5.71 5.65	2.28 2.24	55.0° 54.7°	138 13
2.5	7.14 7.06	2.86 2.81	55.0° 54.7°	88 8
3.0	8.57 8.47	3.43 3.37	55.0° 54.7°	61 6



Sylflat 205 IP44 1550lm 830 DIM

Item No: 0053954

SYLVANIA

General data

Product name	Sylflat 205 IP44 1550lm 830 DIM
Technology	LED
Housing	Aluminium
Mount	Ceiling recessed mounting
General application	Hospitality
Operating temperature range (°C)	-20°C...+40°C
Performance ambient temperature Tq (°C)	25
ETIM Class	EC001744
E-number FI	4278188
Warranty	5 years

Optical data

Fixture luminous flux (lm)	1550
Luminaire efficacy (lm/W)	91
Correlated colour temperature (k)	3000
Light colour	Warm White
CRI (Ra)	80
Colour Variation Initial (SDCM)	SDCM3
Beam Angle (°)	120
Distribution type	Symmetric
Glare control	< 28
Photobiological Risk Group	RG0

Electrical data

Total power consumption (W)	17
Primary Supply/Product voltage - min (V)	220
Primary Supply/Product voltage - max (V)	240
Lamp power factor	0.9
THD (at 230 V, 50 Hz, full load, at 100% dimming level) ≤ xx.x %	20.0
Electrical protection	Class II
Control gear required	No
Control gear type	LED driver constant current
Dimmable	Yes
Dimming method	Mains: leading / trailing edge
Drive current (mA)	450
Inrush Current (A)	4.16
Inrush Duration (µs)	112
Energy Efficiency Class (A->G) of contained light source	E
Nominal Frequency (Hz)	50Hz
LED Flickering Rate	Ultra low (5% or less)
Max. products per 10A C Breaker	67
Max. products per 13A C Breaker	87
Max. products per 16A C Breaker	107
Max. products per 20A C Breaker	133
Max. products per 10A B Breaker	67
Max. products per 13A B Breaker	87
Max. products per 16A B Breaker	107
Max. products per 20A B Breaker	133

Lifetime data

Lifespan L70 B50	60000
Lifespan L90 B10	23000

Sylflat 205 IP44 1550lm 830 DIM

Item No: 0053954



Physical data

Housing colour	RAL 9003 - Signal white
IP rating	IP44/20
IK rating	IK06
Diffuser finish	Opal
Diffuser material	PS Polystyrene
Nominal Product Height (mm)	21
Nominal Product Diameter (mm)	226
Weight (kg)	0.457

Packaging

Product EAN number	5410288539546
Packaging single length / height (cm)	27.5
Packaging single width (cm)	23.0
Packaging single depth (cm)	4.2
DUN14 (inner)	15410288539543
Units per outer package	10
Packaging outer length / height (cm)	47.5
Packaging outer width (cm)	23.0
Packaging outer depth (cm)	29.0

Safety data

Glow Wire Test (°C)	650
Optimal operating condition (°C)	-20-40