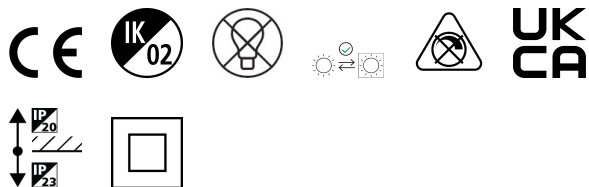


Inset Trend 75 SW SI NO-LMP

Item No: 0083520

SYLVANIA

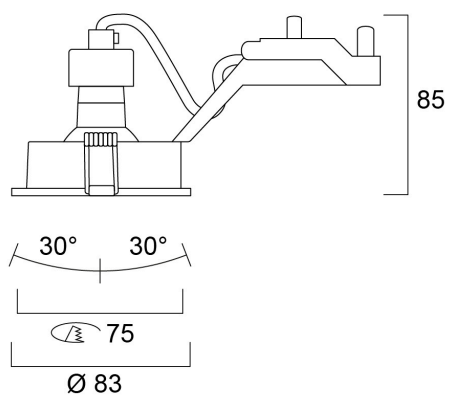
PROTM



INSET TREND 75 SW SI NO-LMP is the recessed housing frame to use with RefLED GU10 spotlight lamp Ø50mm - GU10 spotlight not included. Aluminium body, round bezel ring in silver finish, IP23 degree of protection, class II, Suitable for internal environment only.

Technical Assets

Dimensions (mm)



Photometrics

Inset Trend 75 SW SI NO-LMP

Item No: 0083520

SYLVANIA

General data

Product name	Inset Trend 75 SW SI NO-LMP
Technology	Light Source Not Integrated
Cap/Base	GU10
Housing	Aluminium
Mount	Ceiling recessed mounting
Built in presence detector	NONE
Environment	Indoor
General application	Hospitality, Residential & Consumer
Operating temperature range (°C)	-10°C...+40°C
Virtual assistant compatibility	N/A
ETIM Class	EC001744
E-number FI	4279649
Warranty	5 years

Optical data

Fixture luminous flux (lm)	1
LOR (%)	Dependent on lamp
Light colour	N/A
Colour Variation Initial (SDCM)	N/A
Adjustable chromaticity	N
Distribution type	Symmetric
Photobiological Risk Group	Not applicable

Electrical data

Light source included	Fixture without Lightsource
Emergency type	
Total power consumption (W)	0.1
Supply current (A)	0.001
Primary Supply/Product voltage - min (V)	220.0
Primary Supply/Product voltage - max (V)	240.0
THD (at 230 V, 50 Hz, full load, at 100% dimming level) ≤ xx.x %	1
Electrical protection	Class II
Control gear required	No
Control gear type	Not required
Dimmable	No
Dimming method	N/A
Nominal Frequency (Hz)	50/60Hz
Max. products per 10A C Breaker	20
Max. products per 16A C Breaker	30
Connectable conductor cross section - Max (mm ²)	1.5

Physical data

Housing colour	Silver
IP rating	IP23/20
IK rating	IK02
Diffuser finish	Other
Diffuser material	None
Reflector finish	Not Applicable
Nominal Product Height (mm)	85
Nominal Product Diameter (mm)	83
Built-in diameter (mm)	75
Weight (kg)	0.1
Recessed Depth (mm)	100

Inset Trend 75 SW SI NO-LMP

Item No: 0083520



Packaging

Product EAN number	5410288835204
Packaging single length / height (cm)	13.3
Packaging single width (cm)	10.1
Packaging single depth (cm)	7.0
DUN14 (inner)	15410288835201
Units per outer package	30
Packaging outer length / height (cm)	53.0
Packaging outer width (cm)	28.0
Packaging outer depth (cm)	23.0

Safety data

Optimal operating condition (°C)	-10-40
----------------------------------	--------