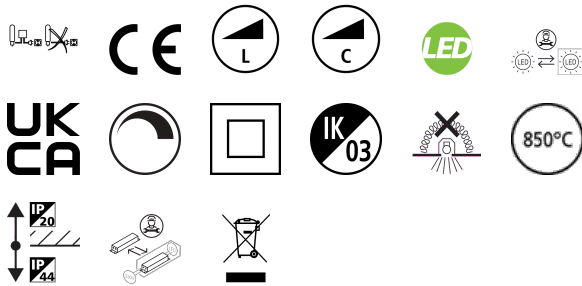


Solstice 68 1050lm 927 DIM

Item No: 2060800

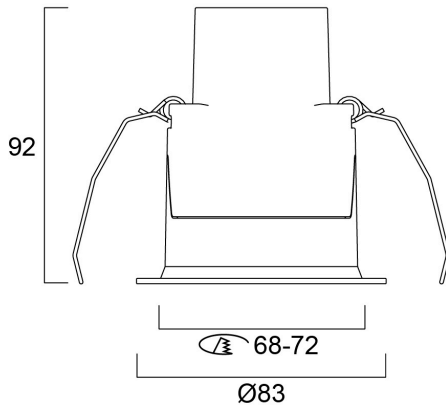
Concord



The Solstice 68 1050lm 927 DIM is a high efficient phase dimmable downlight luminaire, Colour rendering index Ra>90, Colour temperature: 2700K Candle Light, Class II, Protection rating IP44/IP20, Cut out dimensions: 68mm

Technical Assets

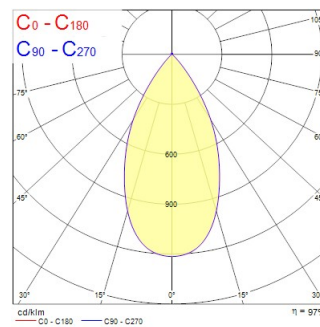
Dimensions (mm)



Photometrics

Distance [m]	Cone diameter [m]	Beam angle [°]	Beam diameter [mm]	Illuminance [lx]
0.5	0.50	52.8°	50	525
1.0	0.99	52.8°	100	131
1.5	1.49	52.8°	150	58
2.0	1.99	52.8°	200	32
2.5	2.48	52.8°	250	17
3.0	2.98	52.8°	300	10

Distance [m] Cone diameter [m] Illuminance [lx]
 CO - C180 (Half beam angle: 52.8°)



Solstice 68 1050lm 927 DIM

Item No: 2060800

Concord

General data

Product name	Solstice 68 1050lm 927 DIM
Technology	LED
Cap/Base	N/A
Housing	Aluminium
Mount	Ceiling recessed mounting
Built in presence detector	NONE
General application	Hospitality, Retail
Operating temperature range (°C)	5°C...+35°C
Virtual assistant compatibility	N/A
ETIM Class	EC001744
E-number FI	4170451
Warranty	5 years

Optical data

Fixture luminous flux (lm)	1050
Luminaire efficacy (lm/W)	105
Correlated colour temperature (k)	2700
Light colour	Candlelight
CRI (Ra)	90
Colour Consistency (SDCM)	3
Colour Variation Initial (SDCM)	SDCM3
Beam Angle (°)	52
Distribution type	Symmetric
Glare control	< 21
Photobiological Risk Group	RG0

Electrical data

Emergency type	
Total power consumption (W)	10
Supply current (A)	1
Primary Supply/Product voltage - min (V)	220.0
Primary Supply/Product voltage - max (V)	240.0
Lamp power factor	0.95
THD (at 230 V, 50 Hz, full load, at 100% dimming level) ≤ xx.x %	0.2
Electrical protection	Class II
Control gear required	Yes
Control gear type	LED driver constant current
Dimmable	Yes
Dimming method	Mains: leading / trailing edge
Drive current (mA)	250
Inrush Current (A)	10
Inrush Duration (µs)	100
Energy Efficiency Class (A->G) of contained light source	E
Nominal Frequency (Hz)	50/60Hz
Max. products per 10A C Breaker	81
Max. products per 16A C Breaker	131
Max. products per 10A B Breaker	51
Max. products per 16A B Breaker	82
Connectable conductor cross section - Min (mm ²)	0.5
Connectable conductor cross section - Max (mm ²)	1.5

Lifetime data

Lifespan L70 B50	100000
Lifespan L80 B50	100000
Lifespan L90 B50	56000

Solstice 68 1050lm 927 DIM

Item No: 2060800

Concord

Physical data

Housing colour	RAL 9016 - Traffic white / Bezel
IP rating	IP44/20
IK rating	IK03
Diffuser finish	Diffuse
Diffuser material	PC Polycarbonate
Reflector finish	High-gloss
Nominal Product Height (mm)	92
Nominal Product Diameter (mm)	83
Built-in diameter (mm)	68
Weight (kg)	0.4

Packaging

Product EAN number	5025768608003
Packaging single length / height (cm)	10.0
Packaging single width (cm)	13.0
Packaging single depth (cm)	16.0
DUN14 (inner)	05025768608003
Units per outer package	1
Packaging outer length / height (cm)	10.0
Packaging outer width (cm)	13.0
Packaging outer depth (cm)	16.0

Safety data

Glow Wire Test (°C)	850
Optimal operating condition (°C)	5-35