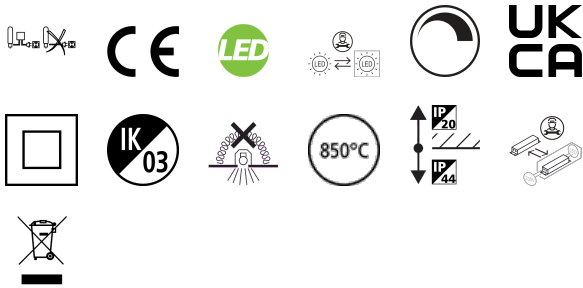


Solstice 68 1125lm 930 DALI

Item No: 2060803

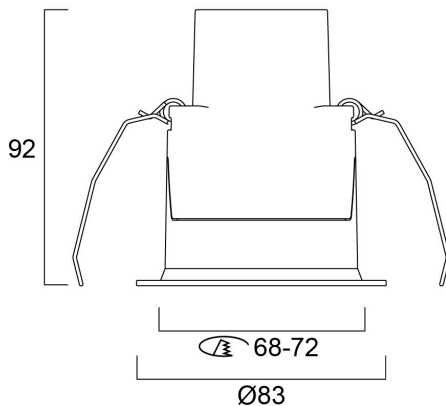
Concord



The Solstice 68 1125lm 930 DALI is a high efficient DALI dimmable downlight luminaire, Colour rendering index Ra>90, Colour temperature: 3000K Warm White, Class II, Protection rating IP44/IP20, Cut out dimensions: 68mm

Technical Assets

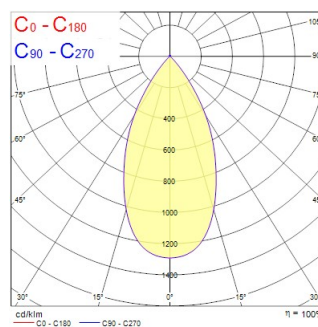
Dimensions (mm)



Photometrics

Distance [m]	Cone diameter [m]	Beam diameter [m]	Beam diameter [in]	Illuminance [lx]
0.5	0.48	507	20.1"	5313
		510	20.1"	2134
1.0	0.96	507	20.1"	1425
		510	20.1"	554
1.5	1.44	507	20.1"	646
		510	20.1"	257
2.0	1.93	507	20.1"	385
		510	20.1"	153
2.5	2.41	507	20.1"	233
		510	20.1"	93
3.0	2.89	507	20.1"	161
		510	20.1"	63

Distance [m] Cone diameter [m] Illuminance [lx]
 C0 - C180 (Half beam angle: 51.4°)



Solstice 68 1125lm 930 DALI

Item No: 2060803

Concord

General data

Product name	Solstice 68 1125lm 930 DALI
Technology	LED
Cap/Base	N/A
Housing	Aluminium
Mount	Ceiling recessed mounting
Built in presence detector	NONE
General application	Hospitality, Retail
Operating temperature range (°C)	5°C...+35°C
Virtual assistant compatibility	N/A
ETIM Class	EC001744
E-number FI	4170454
Warranty	5 years

Optical data

Fixture luminous flux (lm)	1125
Luminaire efficacy (lm/W)	118
Correlated colour temperature (k)	3000
Light colour	Warm White
CRI (Ra)	90
Colour Variation Initial (SDCM)	SDCM3
Colour Consistency (SDCM)	3
Beam Angle (°)	52
Distribution type	Symmetric
Glare control	< 21
Photobiological Risk Group	RG0

Electrical data

Emergency type	
Total power consumption (W)	9.5
Supply current (A)	1
Primary Supply/Product voltage - min (V)	220.0
Primary Supply/Product voltage - max (V)	240.0
Lamp power factor	0.9
THD (at 230 V, 50 Hz, full load, at 100% dimming level) ≤ xx.x %	0.1
Electrical protection	Class II
Control gear required	Yes
Control gear type	LED driver constant current
Dimmable	Yes
Dimming method	DALI-2, Switch-dim (mains-rated)
Drive current (mA)	250
Inrush Current (A)	9.5
Inrush Duration (µs)	155
Energy Efficiency Class (A->G) of contained light source	E
Nominal Frequency (Hz)	50/60Hz
Max. products per 10A C Breaker	106
Max. products per 16A C Breaker	170
Max. products per 10A B Breaker	72
Max. products per 16A B Breaker	115
Connectable conductor cross section - Min (mm ²)	0.5
Connectable conductor cross section - Max (mm ²)	1.5

Lifetime data

Lifespan L70 B50	100000
Lifespan L80 B50	100000
Lifespan L90 B50	56000

Solstice 68 1125lm 930 DALI

Item No: 2060803

Concord

Physical data

Housing colour	RAL 9016 - Traffic white / Bezel
IP rating	IP44/20
IK rating	IK03
Diffuser finish	Diffuse
Diffuser material	PC Polycarbonate
Reflector finish	High-gloss
Nominal Product Height (mm)	92
Nominal Product Diameter (mm)	83
Built-in diameter (mm)	68
Weight (kg)	0.4

Packaging

Product EAN number	5025768608034
Packaging single length / height (cm)	10.0
Packaging single width (cm)	13.0
Packaging single depth (cm)	16.0
DUN14 (inner)	05025768608034
Units per outer package	1
Packaging outer length / height (cm)	10.0
Packaging outer width (cm)	13.0
Packaging outer depth (cm)	16.0

Safety data

Glow Wire Test (°C)	850
Optimal operating condition (°C)	5-35