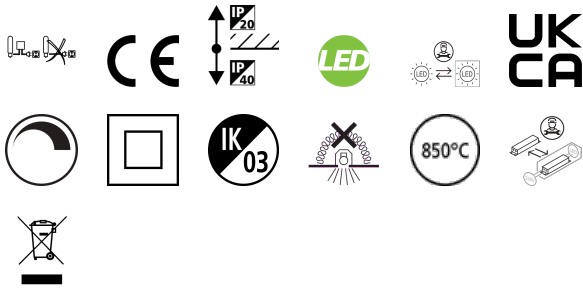


Solstice 100 1535lm 940 DALI Adjustable WW

Item No: 2060835

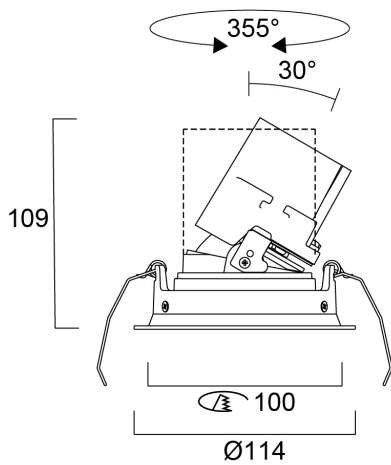
Concord



The Solstice 100 1535lm 940 DALI Adjustable is a high efficient DALI dimmable downlight luminaire, Colour rendering index Ra>90, Colour temperature: 4000K Neutral White, Class II, Protection rating IP40/IP20, Cut out dimensions: 100mm, fully adjustable with 355 degree angles

Technical Assets

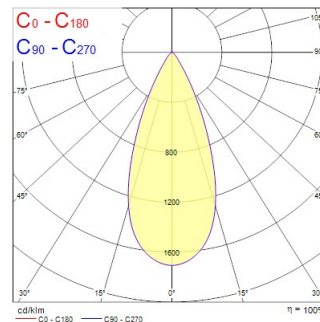
Dimensions (mm)



Photometrics

Distance [m]	Cone diameter [m]	Beam diameter [m]	Beam angle [°]	Illuminance [lx]
0.5	0.39	0.39	21.5°	10475 420
1.0	0.79	0.79	21.5°	2619 100
1.5	1.18	1.18	21.5°	1164 27
2.0	1.58	1.58	21.5°	695 20
2.5	1.97	1.97	21.5°	419 17
3.0	2.36	2.36	21.5°	291 15

Distance [m] Cone diameter [m] Illuminance [lx]
C0 - C180 (Half beam angle: 43.0°)



Solstice 100 1535lm 940 DALI Adjustable WW

Item No: 2060835

Concord

General data

Product name	Solstice 100 1535lm 940 DALI Adjustable WW
Technology	LED
Cap/Base	N/A
Housing	Aluminium
Mount	Ceiling recessed mounting
Built in presence detector	NONE
General application	Hospitality, Retail
Operating temperature range (°C)	5°C...+35°C
Virtual assistant compatibility	N/A
ETIM Class	EC001744
E-number FI	4170488
Warranty	5 years

Optical data

Fixture luminous flux (lm)	1535
Luminaire efficacy (lm/W)	162
Correlated colour temperature (k)	4000
Light colour	Neutral White
CRI (Ra)	90
Colour Consistency (SDCM)	3
Colour Variation Initial (SDCM)	SDCM3
Beam Angle (°)	43
Distribution type	Symmetric
Glare control	< 18
Photobiological Risk Group	RG0

Electrical data

Emergency type	
Total power consumption (W)	9.5
Supply current (A)	1
Primary Supply/Product voltage - min (V)	220.0
Primary Supply/Product voltage - max (V)	240.0
Lamp power factor	0.9
THD (at 230 V, 50 Hz, full load, at 100% dimming level) ≤ xx.x %	0.1
Electrical protection	Class II
Control gear required	Yes
Control gear type	LED driver constant current
Dimmable	Yes
Dimming method	DALI-2, Switch-dim (mains-rated)
Drive current (mA)	250
Inrush Current (A)	9.5
Inrush Duration (µs)	155
Energy Efficiency Class (A->G) of contained light source	E
Nominal Frequency (Hz)	50/60Hz
Max. products per 10A C Breaker	106
Max. products per 16A C Breaker	170
Max. products per 10A B Breaker	72
Max. products per 16A B Breaker	115
Connectable conductor cross section - Min (mm ²)	0.5
Connectable conductor cross section - Max (mm ²)	1.5

Lifetime data

Lifespan L70 B50	100000
Lifespan L80 B50	100000
Lifespan L90 B50	56000

Solstice 100 1535lm 940 DALI Adjustable WW

Item No: 2060835

Concord

Physical data

Housing colour	RAL 9016 - Traffic white / Bezel
IP rating	IP40/20
IK rating	IK03
Diffuser finish	Diffuse
Diffuser material	PC Polycarbonate
Reflector finish	High-gloss
Nominal Product Height (mm)	108
Nominal Product Diameter (mm)	114
Built-in diameter (mm)	100
Weight (kg)	0.41

Packaging

Product EAN number	5025768608355
Packaging single length / height (cm)	13.5
Packaging single width (cm)	13.5
Packaging single depth (cm)	18.0
DUN14 (inner)	05025768608355
Units per outer package	1
Packaging outer length / height (cm)	13.5
Packaging outer width (cm)	13.5
Packaging outer depth (cm)	18.0

Safety data

Glow Wire Test (°C)	850
Optimal operating condition (°C)	5-35