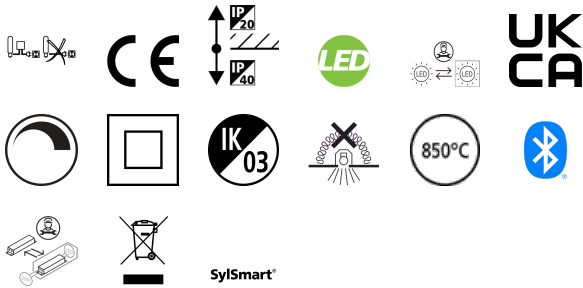


Solstice 100 1480lm 930 SSC01D Adjustable WW

Item No: 2060844

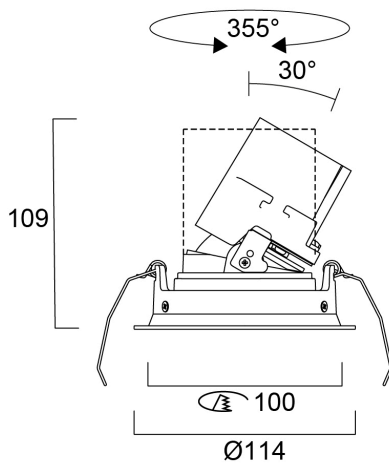
Concord



The Solstice 100 1480lm 930 SSCA01D Adjustable is a high efficient SYLSMART Standalone enabled downlight luminaire, Colour rendering index Ra>90, Colour temperature: 3000K Warm White, Class II, Protection rating IP40/IP20, Cut out dimensions: 100mm, fully adjustable with 355 degree angles

Technical Assets

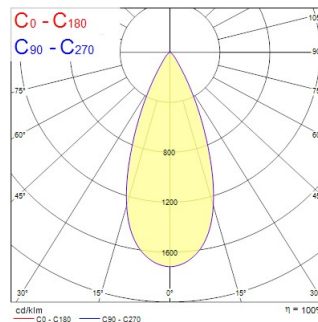
Dimensions (mm)



Photometrics

Distance [m]	Cone diameter [m]	Beam diameter [m]	Beam angle [°]	Illuminance [lx]
0.5	0.39	0.39	21.3°	1026
1.0	0.78	0.78	21.3°	257
1.5	1.17	1.17	21.3°	114
2.0	1.56	1.56	21.3°	64
2.5	1.95	1.95	21.3°	42
3.0	2.34	2.34	21.3°	28

Distance [m] Cone diameter [m] Illuminance [lx]
C0 - C180 (Half beam angle: 42.6°)



Solstice 100 1480lm 930 SSC01D Adjustable WW

Item No: 2060844

Concord

General data

Product name	Solstice 100 1480lm 930 SSC01D Adjustable WW
Technology	LED
Cap/Base	N/A
Housing	Aluminium
Mount	Ceiling recessed mounting
Built in presence detector	NONE
General application	Hospitality, Retail
Operating temperature range (°C)	5°C...+35°C
Virtual assistant compatibility	N/A
ETIM Class	EC001744
E-number FI	4170489
Warranty	5 years

Optical data

Fixture luminous flux (lm)	1480
Luminaire efficacy (lm/W)	156
Correlated colour temperature (k)	3000
Light colour	Warm White
CRI (Ra)	90
Colour Consistency (SDCM)	3
Colour Variation Initial (SDCM)	SDCM3
Beam Angle (°)	43
Distribution type	Symmetric
Glare control	< 18
Photobiological Risk Group	RG0

Electrical data

Emergency type	
Total power consumption (W)	9.5
Supply current (A)	1
Primary Supply/Product voltage - min (V)	220.0
Primary Supply/Product voltage - max (V)	240.0
Lamp power factor	0.98
THD (at 230 V, 50 Hz, full load, at 100% dimming level) ≤ xx.x %	0.1
Electrical protection	Class II
Control gear required	Yes
Control gear type	LED driver constant current
Dimmable	Yes
Dimming method	SylSmart Standalone (SSC)
Drive current (mA)	250
Inrush Current (A)	20
Inrush Duration (µs)	25
Energy Efficiency Class (A->G) of contained light source	E
Nominal Frequency (Hz)	50/60Hz
Max. products per 16A C Breaker	82
Max. products per 10A B Breaker	82
Max. products per 16A B Breaker	130
Connectable conductor cross section - Min (mm ²)	0.5
Connectable conductor cross section - Max (mm ²)	1.5

Lifetime data

Lifespan L70 B50	100000
Lifespan L80 B50	100000
Lifespan L90 B50	56000

Solstice 100 1480lm 930 SSC01D Adjustable WW

Item No: 2060844

Concord

Physical data

Housing colour	RAL 9016 - Traffic white / Bezel
IP rating	IP40/20
IK rating	IK03
Diffuser finish	Diffuse
Diffuser material	PC Polycarbonate
Reflector finish	High-gloss
Nominal Product Height (mm)	108
Nominal Product Diameter (mm)	114
Built-in diameter (mm)	100
Weight (kg)	0.41

Packaging

Product EAN number	5025768608447
Packaging single length / height (cm)	13.5
Packaging single width (cm)	13.5
Packaging single depth (cm)	18.0
DUN14 (inner)	05025768608447
Units per outer package	1
Packaging outer length / height (cm)	13.5
Packaging outer width (cm)	13.5
Packaging outer depth (cm)	18.0

Safety data

Glow Wire Test (°C)	850
Optimal operating condition (°C)	5-35