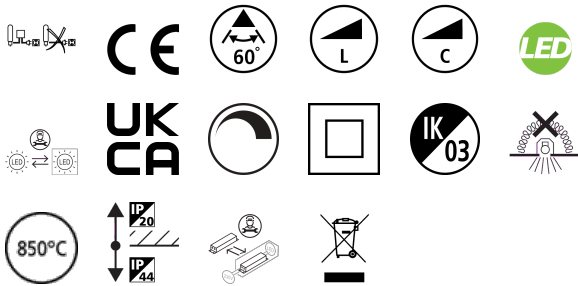


# Solstice 100 1525lm 930 DIM

Item No: 2060848

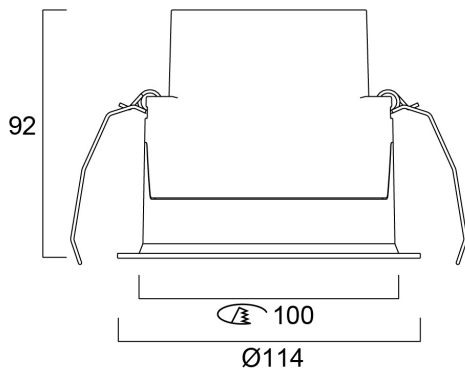
**Concord**



The Solstice 100 1525lm 930 DIM is a high efficient phase dimmable downlight luminaire, Colour rendering index Ra>90, Colour temperature: 3000K Warm White, Class II, Protection rating IP44/IP20, Cut out dimensions: 100mm

## Technical Assets

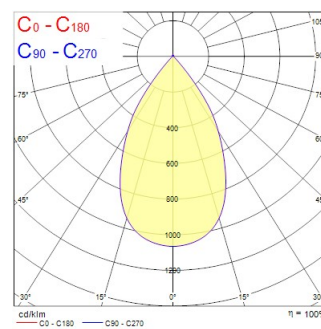
### Dimensions (mm)



### Photometrics

Distance [m]	Cone diameter [m]	Beam diameter [m]	Beam angle [°]	Illuminance [lx]
0.5	0.57	Ø101	29.6°	648
1.0	1.15	Ø101	29.6°	162
1.5	1.72	Ø101	29.6°	72
2.0	2.29	Ø101	29.6°	40.5
2.5	2.86	Ø101	29.6°	25.2
3.0	3.44	Ø101	29.6°	16.2

Distance [m]    Cone diameter [m]    Beam diameter [m]    Beam angle [°]    Illuminance [lx]  
 C0 - C180 (Half beam angle: 59.6°)



# Solstice 100 1525lm 930 DIM

Item No: 2060848

# Concord

## General data

Product name	Solstice 100 1525lm 930 DIM
Technology	LED
Cap/Base	N/A
Housing	Aluminium
Mount	Ceiling recessed mounting
Built in presence detector	NONE
General application	Hospitality, Retail
Operating temperature range (°C)	5°C...+35°C
Virtual assistant compatibility	N/A
ETIM Class	EC001744
E-number FI	4170469
Warranty	5 years

## Optical data

Fixture luminous flux (lm)	1525
Luminaire efficacy (lm/W)	109
Correlated colour temperature (k)	3000
Light colour	Warm White
CRI (Ra)	90
Colour Consistency (SDCM)	3
Colour Variation Initial (SDCM)	SDCM3
Beam Angle (°)	60
Distribution type	Symmetric
Glare control	< 20
Photobiological Risk Group	RG0

## Electrical data

Emergency type	
Total power consumption (W)	14
Supply current (A)	1
Primary Supply/Product voltage - min (V)	220.0
Primary Supply/Product voltage - max (V)	240.0
Lamp power factor	0.95
THD (at 230 V, 50 Hz, full load, at 100% dimming level) ≤ xx.x %	0.2
Electrical protection	Class II
Control gear required	Yes
Control gear type	LED driver constant current
Dimmable	Yes
Dimming method	Mains: leading / trailing edge
Drive current (mA)	350
Inrush Current (A)	10
Inrush Duration (µs)	100
Energy Efficiency Class (A->G) of contained light source	E
Nominal Frequency (Hz)	50/60Hz
Max. products per 10A C Breaker	81
Max. products per 16A C Breaker	131
Max. products per 10A B Breaker	51
Max. products per 16A B Breaker	82
Connectable conductor cross section - Min (mm <sup>2</sup> )	0.5
Connectable conductor cross section - Max (mm <sup>2</sup> )	1.5

## Lifetime data

Lifespan L70 B50	100000
Lifespan L80 B50	100000
Lifespan L90 B50	56000

# Solstice 100 1525lm 930 DIM

Item No: 2060848

**Concord**

## Physical data

Housing colour	RAL 9016 - Traffic white / Bezel
IP rating	IP44/20
IK rating	IK03
Diffuser finish	Diffuse
Diffuser material	PC Polycarbonate
Reflector finish	High-gloss
Nominal Product Height (mm)	92
Nominal Product Diameter (mm)	112
Built-in diameter (mm)	100
Weight (kg)	0.43

## Packaging

Product EAN number	5025768608485
Packaging single length / height (cm)	13.5
Packaging single width (cm)	13.5
Packaging single depth (cm)	16.5
DUN14 (inner)	05025768608485
Units per outer package	1
Packaging outer length / height (cm)	13.5
Packaging outer width (cm)	13.5
Packaging outer depth (cm)	16.5

## Safety data

Glow Wire Test (°C)	850
Optimal operating condition (°C)	5-35