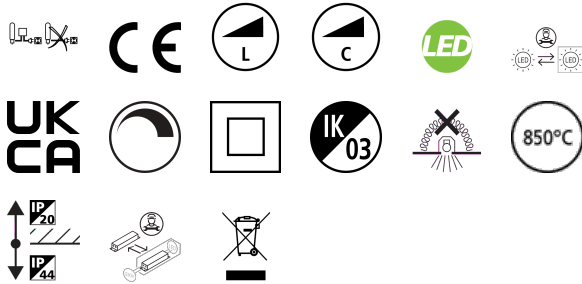


Solstice 68 1125lm 930 DIM Trimless

Item No: 2060867

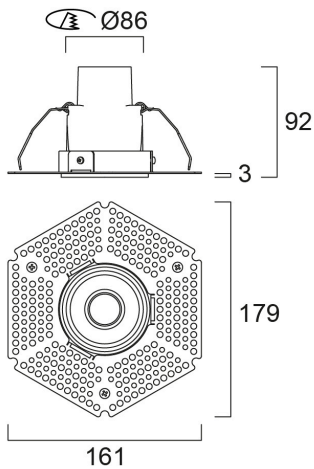
Concord



The Solstice 68 1125lm 930 DIM Trimless is a high efficient DALI dimmable downlight luminaire, Colour rendering index Ra>90, Colour temperature: 3000K Warm White, Class II, Protection rating IP44/IP20, Cut out dimensions: 68mm

Technical Assets

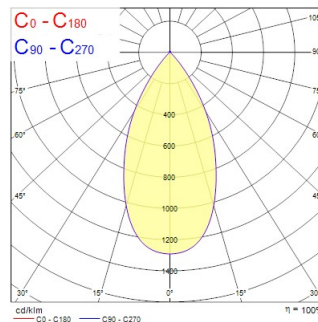
Dimensions (mm)



Photometrics

Distance [m]	Cone diameter [m]	Beam diameter [m]	Beam diameter [m]	Illuminance [lx]
0.5	0.48	0.071	0.071	5913
		0.071	0.071	2133
1.0	0.96	0.142	0.142	1455
		0.142	0.142	553
1.5	1.44	0.213	0.213	646
		0.213	0.213	227
2.0	1.93	0.284	0.284	383
		0.284	0.284	153
2.5	2.41	0.355	0.355	233
		0.355	0.355	98
3.0	2.89	0.426	0.426	161
		0.426	0.426	58

Distance [m] Cone diameter [m] Illuminance [lx]
C0 - C180 (Half beam angle: 51.4°)



Solstice 68 1125lm 930 DIM Trimless

Item No: 2060867

Concord

General data

Product name	Solstice 68 1125lm 930 DIM Trimless
Technology	LED
Cap/Base	N/A
Housing	Aluminium
Mount	Ceiling recessed mounting
Built in presence detector	NONE
General application	Hospitality, Retail
Operating temperature range (°C)	5°C...+35°C
Virtual assistant compatibility	N/A
ETIM Class	EC001744
E-number FI	4170901
Warranty	5 years

Optical data

Fixture luminous flux (lm)	1125
Luminaire efficacy (lm/W)	113
Correlated colour temperature (k)	3000
Light colour	Warm White
CRI (Ra)	90
Colour Consistency (SDCM)	3
Colour Variation Initial (SDCM)	SDCM3
Beam Angle (°)	52
Distribution type	Symmetric
Glare control	< 21
Photobiological Risk Group	RG0

Electrical data

Emergency type	
Total power consumption (W)	10
Supply current (A)	1
Primary Supply/Product voltage - min (V)	220.0
Primary Supply/Product voltage - max (V)	240.0
Lamp power factor	0.95
THD (at 230 V, 50 Hz, full load, at 100% dimming level) ≤ xx.x %	0.2
Electrical protection	Class II
Control gear required	Yes
Control gear type	LED driver constant current
Dimmable	Yes
Dimming method	Mains: leading / trailing edge
Drive current (mA)	250
Inrush Current (A)	10
Inrush Duration (µs)	100
Energy Efficiency Class (A->G) of contained light source	E
Nominal Frequency (Hz)	50/60Hz
Max. products per 10A C Breaker	81
Max. products per 16A C Breaker	131
Max. products per 10A B Breaker	51
Max. products per 16A B Breaker	82
Connectable conductor cross section - Min (mm ²)	0.5
Connectable conductor cross section - Max (mm ²)	1.5

Lifetime data

Lifespan L70 B50	100000
Lifespan L80 B50	100000
Lifespan L90 B50	56000

Solstice 68 1125lm 930 DIM Trimless

Item No: 2060867

Concord

Physical data

Housing colour	RAL 9016 - Traffic white / Bezel
IP rating	IP44/20
IK rating	IK03
Diffuser finish	Diffuse
Diffuser material	PC Polycarbonate
Reflector finish	High-gloss
Nominal Product Height (mm)	92
Nominal Product Diameter (mm)	83
Built-in diameter (mm)	68
Weight (kg)	0.4

Packaging

Product EAN number	5025768608676
Packaging single length / height (cm)	25.0
Packaging single width (cm)	25.0
Packaging single depth (cm)	20.0
DUN14 (inner)	05025768608676
Units per outer package	1
Packaging outer length / height (cm)	25.0
Packaging outer width (cm)	25.0
Packaging outer depth (cm)	20.0

Safety data

Glow Wire Test (°C)	850
Optimal operating condition (°C)	5-35