

Colossal 600mm 940 OPAL Dir White EM

Item No: 2071186

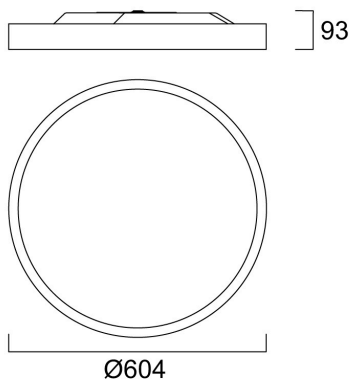
Concord



600mm diameter circular architectural luminaire, can be surface mounted or suspended. Powder coated aluminium housing (RAL9016) with polycarbonate opal diffuser. Direct light distribution, 4535lm luminous flux, 41.5W system power, 109lm/W luminaire efficacy. Constant current driver. 3 hours integrated emergency. Colour rendering index Ra >90, 4000K Neutral White LED, chromaticity tolerance of 3-step MacAdam ellipse. IP40, IK03. 450mA drive current. Electrical protection Class1, 220-240V. Reported lifetime 66k hours L90B10.

Technical Assets

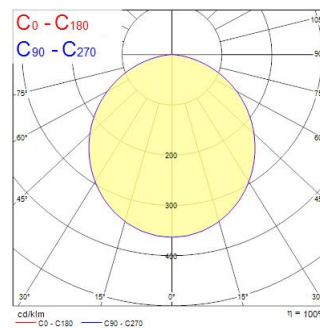
Dimensions (mm)



Photometrics

Distance [m]	Cone diameter [m]	E10%	E50%	E90%	Illuminance [lx]
0.5	1.42	50%	50%	54.8°	6591
1.0	2.84	50%	50%	54.8°	1648
1.5	4.25	50%	50%	54.8°	732
2.0	5.67	50%	50%	54.8°	412
2.5	7.09	50%	50%	54.8°	264
3.0	8.51	50%	50%	54.8°	183

Distance [m] Cone diameter [m] Illuminance [lx]
 — C0 - C180 (Half beam angle: 108.6°)



Colossal 600mm 940 OPAL Dir White EM

Item No: 2071186

Concord

General data

Product name	Colossal 600mm 940 OPAL Dir White EM
Technology	LED
Cap/Base	N/A
Housing	Aluminium
Mount	Ceiling surface mounting, Suspended
Built in presence detector	NONE
General application	Hospitality, Office
Operating temperature range (°C)	10°C...+25°C
Virtual assistant compatibility	N/A
ETIM Class	EC002892
Warranty	5 years

Optical data

Fixture luminous flux (lm)	4535
Luminaire efficacy (lm/W)	109
Correlated colour temperature (k)	4000
Colour Code	940
Light colour	Neutral White
CRI (Ra)	90
Colour Variation Initial (SDCM)	SDCM3
Distribution type	Symmetric
Glare control	< 22
Photobiological Risk Group	RG0

Electrical data

Emergency duration (h)	3
Total power consumption (W)	41.5
Primary Supply/Product voltage - min (V)	220
Primary Supply/Product voltage - max (V)	240
Lamp power factor	0.95
THD (at 230 V, 50 Hz, full load, at 100% dimming level) ≤ xx.x %	20
Electrical protection	Class I
Control gear required	No
Control gear type	LED driver constant current
Dimmable	No
Dimming method	N/A
Drive current (mA)	450
Inrush Current (A)	15
Inrush Duration (µs)	250
Energy Efficiency Class (A->G) of contained light source	C
Nominal Frequency (Hz)	50/60Hz
LED Flickering Rate	Ultra low (5% or less)
Max. products per 10A C Breaker	40
Max. products per 13A C Breaker	51
Max. products per 16A C Breaker	63
Max. products per 20A C Breaker	80
Max. products per 10A B Breaker	24
Max. products per 13A B Breaker	31
Max. products per 16A B Breaker	38
Max. products per 20A B Breaker	48
Connectable conductor cross section - Max (mm ²)	2.5

Lifetime data

Lifespan L70 B50	170000
Lifespan L80 B20	145000
Lifespan L90 B10	66000

Colossal 600mm 940 OPAL Dir White EM

Item No: 2071186

Concord

Physical data

Housing colour	RAL 9016 - Traffic white / Bezel
IP rating	IP40/20
IK rating	IK07
Diffuser finish	Opal
Diffuser material	PC Polycarbonate
Nominal Product Height (mm)	93
Nominal Product Diameter (mm)	604
Weight (kg)	9.3

Packaging

Product EAN number	5025768711864
Packaging single length / height (cm)	14.0
Packaging single width (cm)	68.0
Packaging single depth (cm)	68.0
DUN14 (inner)	05025768711864
Units per outer package	1
Packaging outer length / height (cm)	14.0
Packaging outer width (cm)	68.0
Packaging outer depth (cm)	68.0

Safety data

Glow Wire Test (°C)	650
Optimal operating condition (°C)	10-25