

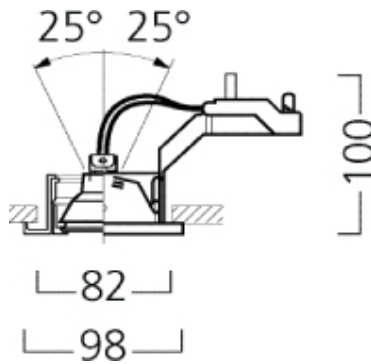
QR-CB51 50W GU/GX5.3

Item No: 3035040



Technical Assets

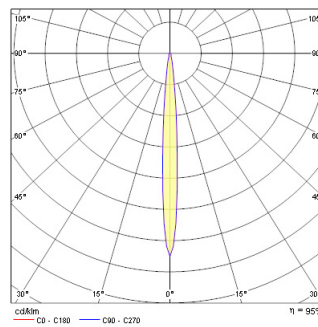
Dimensions (mm)



Photometrics

Distance [m]	Core diameter [m]	Beam diameter [m]	Illuminance [lx]
0.5	0.07	0.14	9900 8300
1.0	0.14	0.28	4950 2075
1.5	0.22	0.42	3300 1500
2.0	0.29	0.56	2475 1125
2.5	0.36	0.70	1980 825
3.0	0.43	0.84	1650 675

Distance [m] Core diameter [m] Beam diameter [m] Illuminance [lx]
 C0 - C180 (Half beam angle: 8.2°)



QR-CB51 50W GU/GX5.3

Item No: 3035040

General data

Product name	QR-CB51 50W GU/GX5.3
Housing	Aluminium
Mount	Ceiling recessed mounting
Environment	Interior
General application	Retail
E-number FI	4277728
E-number SE	7472753

Optical data

Adjustable chromaticity	N
Distribution type	Adjustable

Electrical data

Electrical protection	Class III
Control gear mounting	Remote

Physical data

Housing colour	Silver
IP rating	IP20
Max. Lamp Diameter (mm) - D	98
Weight (kg)	0.2
Recessed Depth (mm)	100

Packaging

Product EAN number	8711971350408
Packaging single width (cm)	11.0
Packaging single depth (cm)	12.0
Packaging outer length / height (cm)	11.0

Safety data

Glow Wire Test (°C)	850
---------------------	-----