

Inset Trend 75 SW ES50 SI EX-LMP

Item No: 3083520

SYLVANIA

PROTM

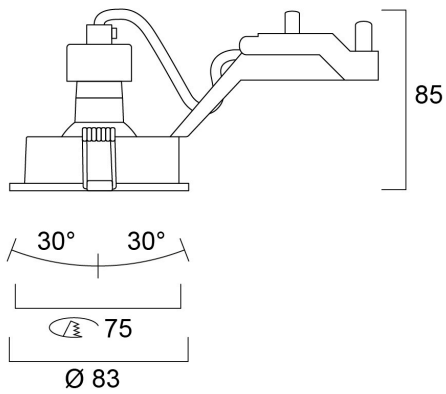


75mm cut out. 2 x 30° Tilt. Round bezel.

Technical Assets

Dimensions (mm)

Photometrics



Inset Trend 75 SW ES50 SI EX-LMP

Item No: 3083520

SYLVANIA

General data

Product name	Inset Trend 75 SW ES50 SI EX-LMP
Technology	Light Source Not Integrated
Cap/Base	GU10
Housing	Aluminium
Mount	Ceiling recessed mounting
Environment	Indoor
General application	Hospitality, Residential & Consumer
ETIM Class	EC001744
E-number FI	4271321
E-number SE	7464292
Warranty	3 years

Optical data

LOR (%)	Dependent on lamp
Light colour	N/A
Adjustable chromaticity	N

Electrical data

Light source included	Fixture without Lightsource
Primary Supply/Product voltage - min (V)	220
Primary Supply/Product voltage - max (V)	240
Electrical protection	Class II
Nominal Frequency (Hz)	50/60Hz

Physical data

Housing colour	Silver
IP rating	IP23/20
IK rating	IK02
Nominal Product Length (mm)	83
Nominal Product Width (mm)	83
Nominal Product Height (mm)	85
Weight (kg)	0.131
Recessed Depth (mm)	100

Packaging

Product EAN number	8711971835202
Packaging single length / height (cm)	13.27
Packaging single width (cm)	10.1
Packaging single depth (cm)	7.0
DUN14 (inner)	18711971835209
Units per outer package	30
Packaging outer length / height (cm)	24.4
Packaging outer width (cm)	29.0
Packaging outer depth (cm)	53.5