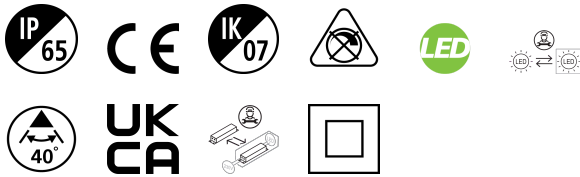


Inverto Dir/Ind WW Eb Rust

Item No: 3090200



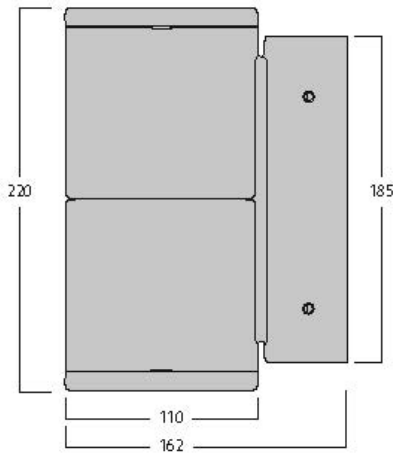
PROTM



Surface Wall mounted direct / indirect luminaire, wire to base with pluggable connection for easy installation, suitable for looping, rust coloured aluminium housing, 3130lm (2 x 1565lm), 30W, 104lm/W,3000K, 350mA, CRI:80, 40° beam Angle, non-dimmable, IP65, IK07, lifespan: 60,000hrs (L80:B20), 23.00x32.2x11.5mm.

Technical Assets

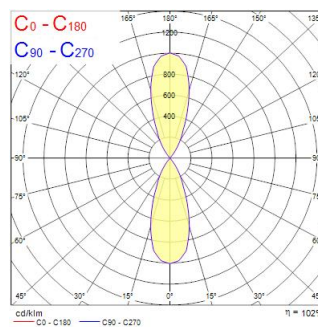
Dimensions (mm)



Photometrics

Distance [m]	Cone diameter [m]	E10° [lx]	E30° [lx]	Footcandle [fc]
0.5	0.36	1289	804	304
1.0	0.72	317	195	76
1.5	1.08	139	86	31
2.0	1.44	78	49	18
2.5	1.80	50	31	11
3.0	2.16	30	19	7

Distance [m] Cone diameter [m] Illuminance [lx]
 C0 - C180 (Half beam angle: 39.6°)



Inverto Dir/Ind WW Eb Rust

Item No: 3090200

SYLVANIA

General data

Product name	Inverto Dir/Ind WW Eb Rust
Technology	LED
Cap/Base	N/A
Housing	Aluminium
Mount	Wall surface mounted
Environment	Internal/External
General application	Hospitality
Operating temperature range (°C)	-25°C...+25°C
Performance ambient temperature Tq (°C)	25
ETIM Class	EC002892
Warranty	5 years

Optical data

Fixture luminous flux (lm)	3130
Luminaire efficacy (lm/W)	104
LOR (%)	100
Correlated colour temperature (k)	3000
Light colour	Warm White
CRI (Ra)	80
Colour Consistency (SDCM)	3
Adjustable chromaticity	N
Beam Angle (°)	40
Photobiological Risk Group	RG1

Electrical data

Total power consumption (W)	30
Primary Supply/Product voltage - min (V)	220
Primary Supply/Product voltage - max (V)	240
Electrical protection	Class II
Control gear type	Electronic ballast
Dimmable	No
Dimming method	N/A
Drive current (mA)	350
Inrush Current (A)	45
Inrush Duration (µs)	20
Energy Efficiency Class (A->G) of contained light source	D
Nominal Frequency (Hz)	50/60Hz
Max. products per 10A C Breaker	50
Max. products per 16A C Breaker	80

Lifetime data

Lifespan L70 B50	60000
Lifespan L80 B20	60000
Lifespan L90 B10	56100

Physical data

IP rating	IP65
IK rating	IK07
Diffuser finish	Transparent
Diffuser material	Glass
Nominal Product Length (mm)	162
Nominal Product Width (mm)	110
Nominal Product Height (mm)	220
Weight (kg)	2.444

Inverto Dir/Ind WW Eb Rust

Item No: 3090200



Packaging

Product EAN number	8711971902003
Packaging single length / height (cm)	23.0
Packaging single width (cm)	32.3
Packaging single depth (cm)	11.5
DUN14 (inner)	08711971902003
Units per outer package	1
Packaging outer length / height (cm)	23.0
Packaging outer width (cm)	32.3
Packaging outer depth (cm)	11.5

Safety data

Optimal operating condition (°C)	-25-25
----------------------------------	--------