

# CASSINI RADIUS 400 IK10 1229LM 830 DALI WHITE

Item No: 4054898

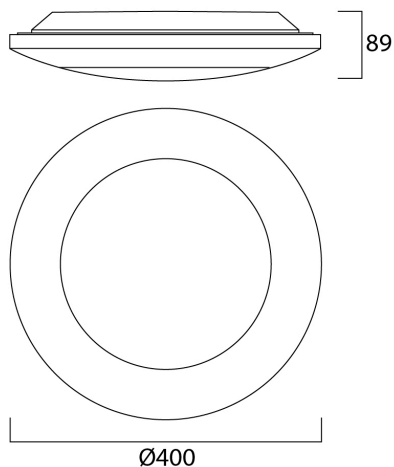
Concord



Ambient and decorative 400mm diameter LED bulkhead luminaire with halo backlight. Resistant to dust and water jet ingress, IP65, IK10, Class 1, 220-240V. 3000K, Switchable High Output or High efficiency mode, 644/1229 lm, 17 W, Drive current: 700mA, CRI 80, DALI dimmable

## Technical Assets

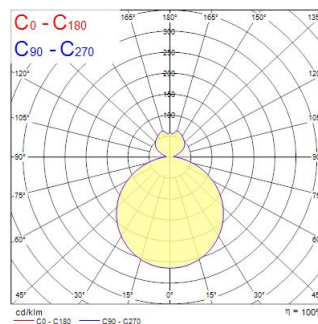
### Dimensions (mm)



### Photometrics

Distance [m]	Cone diameter [m]	Beam diameter [m]	Beam diameter [ft]	Illuminance [lx]
0.5	1.56	5'1"	5'1"	667
1.0	3.12	10'2"	10'2"	167
1.5	4.67	15'3"	15'3"	74
2.0	6.23	20'4"	20'4"	42
2.5	7.79	25'5"	25'5"	27
3.0	9.35	30'6"	30'6"	19

Distance [m] Cone diameter [m] Illuminance [lx]  
C0 - C180 (Half beam angle: 114.6°)



# CASSINI RADIUS 400 IK10 1229LM 830 DALI WHITE

Item No: 4054898

## Concord

### General data

Product name	CASSINI RADIUS 400 IK10 1229LM 830 DALI WHITE
Technology	LED
Cap/Base	N/A
Environment	Indoor
General application	Office
ETIM Class	EC002892
E-number FI	4275711
Warranty	5 years

### Optical data

Fixture luminous flux (lm)	644/1229
LOR (%)	100
Correlated colour temperature (k)	3000
Light colour	Warm White
CRI (Ra)	80
Photobiological Risk Group	RG0

### Electrical data

Total power consumption (W)	17
Primary Supply/Product voltage - min (V)	230
Primary Supply/Product voltage - max (V)	240
Electrical protection	Class I
Dimming method	DALI
Drive current (mA)	700
Energy Efficiency Class (A->G) of contained light source	C
Nominal Frequency (Hz)	50/60Hz

### Physical data

Housing colour	White
IP rating	IP65
IK rating	IK10
Nominal Product Height (mm)	90
Nominal Product Diameter (mm)	400
Max. Lamp Diameter (mm) - D	400
Weight (kg)	1.1

### Packaging

Product EAN number	5026524548984
Packaging single length / height (cm)	50.0
Packaging single width (cm)	50.0
Packaging single depth (cm)	20.0
DUN14 (inner)	05026524548984
Units per outer package	1
Packaging outer length / height (cm)	50.0
Packaging outer width (cm)	50.0
Packaging outer depth (cm)	20.0