

SYLSMART X-Press-B-LR SSC

Item No: V960015

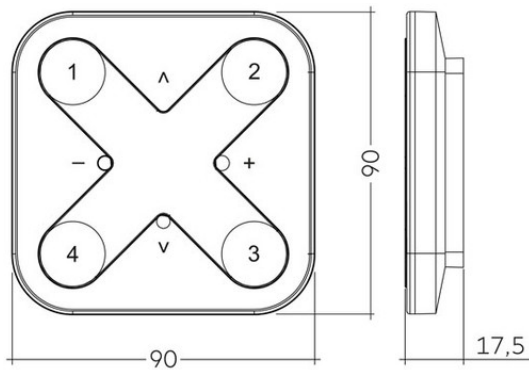
SYLVANIA



Xpress is a wireless user interface that can be configured via the SylSmart Standalone app. The four target buttons can control a scene or an animation of the user's choice or simply one luminaire, one luminaire group or all fixtures together if so desired.

Technical Assets

Dimensions (mm)



Photometrics

General data

Product name	SYLSMART X-Press-B-LR SSC
Technology	Electronic Device
Type of accessory	Control
Operating temperature range (°C)	0°C...+40°C
Warranty	5 years

Physical data

Housing colour	Black
IP rating	IP20
Nominal Product Length (mm)	90
Nominal Product Width (mm)	90
Nominal Product Height (mm)	15.5
Weight (kg)	0.087

Electrical data

Nominal Frequency (Hz)	DC
------------------------	----

SYLSMART X-Press-B-LR SSC

Item No: V960015



Packaging

Packaging single length / height (cm)	90.0
Packaging single width (cm)	90.0
Packaging single depth (cm)	12.0
Units per outer package	1
Packaging outer length / height (cm)	90.0
Packaging outer width (cm)	90.0
Packaging outer depth (cm)	12.0

Safety data

Optimal operating condition (°C)	0-40
----------------------------------	------