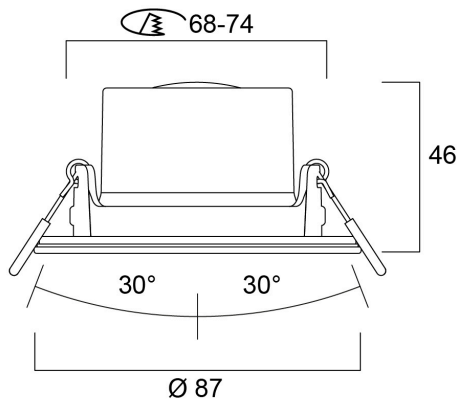
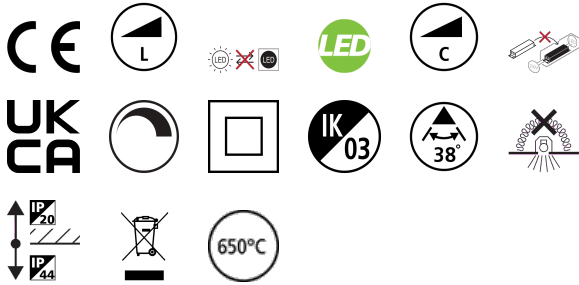


YourHome™



Distance [m]	Cone diameter [m]	Beam diameter [m]	Beam diameter [in]	Illuminance [lx]
0.5	0.47	0.34	13.5"	250
			25.0"	964
1.0	0.95	0.69	13.5"	646
			25.0"	231
1.5	1.40	1.02	13.5"	271
			25.0"	111
2.0	1.87	1.36	13.5"	161
			25.0"	61
2.5	2.33	1.72	13.5"	103
			25.0"	38
3.0	2.80	2.07	13.5"	72
			25.0"	27

Distance [m]    Cone diameter [m]    Illuminance [lx]  
 — C0 - C180 (Half beam angle: 30.0°)  
 — C90 - C270 (Half beam angle: 50.0°)

