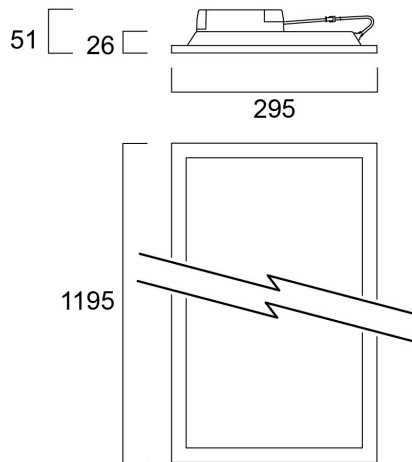


START



| Distance [m] | Cone diameter [m] | Beam diameter [mm] | Illuminance [lx] |
|--------------|-------------------|--------------------|------------------|
| 0.5 | 0.97 | Ø171 | 6966 |
| | 0.84 | Ø150 | 1060 |
| 1.0 | 1.94 | Ø171 | 1742 |
| | 1.67 | Ø150 | 261 |
| 1.5 | 2.91 | Ø171 | 774 |
| | 2.51 | Ø150 | 143 |
| 2.0 | 3.88 | Ø171 | 488 |
| | 3.34 | Ø150 | 98 |
| 2.5 | 4.85 | Ø171 | 279 |
| | 4.18 | Ø150 | 51 |
| 3.0 | 5.81 | Ø171 | 194 |
| | 5.02 | Ø150 | 38 |

— C0 - C180 (Half beam angle: 79.8°)
 — C90 - C270 (Half beam angle: 88.2°)

