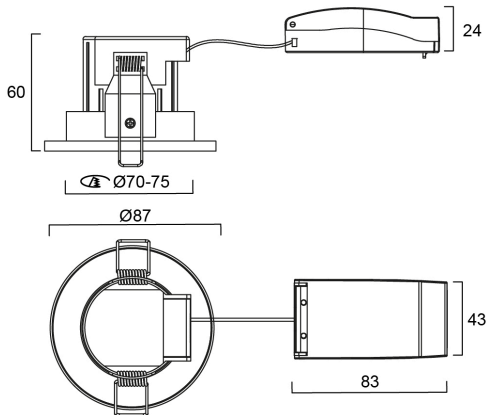
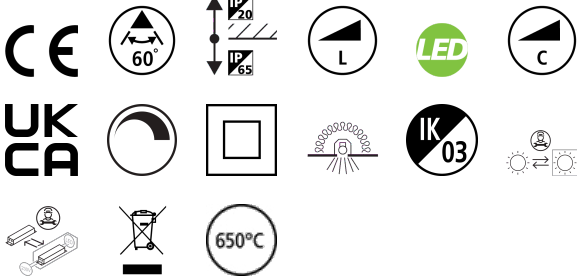


START™



Distance [m]	Cone diameter [m]	Beam angle [°]	Beam diameter [m]	Illuminance [lx]
0.5	0.47	25°	230	186
1.0	0.93	25°	113	151
1.5	1.40	25°	78	115
2.0	1.87	25°	58	87
2.5	2.33	25°	43	65
3.0	2.80	25°	32	49

Distance [m] Cone diameter [m] Illuminance [lx]
 — C0 - C180 (Half beam angle: 90.0°)

