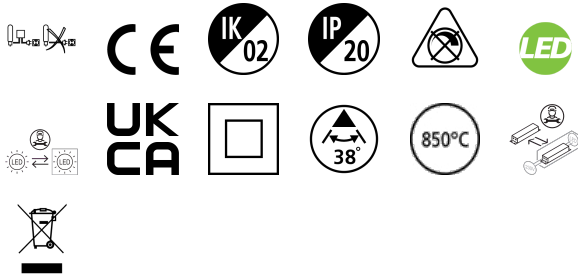


START Track Spot L 3600lm 940 MB BLK

Code article 0004902

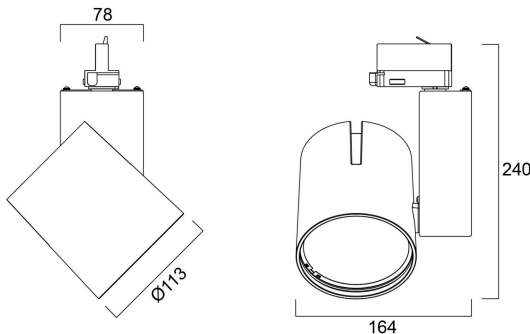
SYLVANIA



Integrated LED spotlight, Textured Black - RAL9005, compact and minimalist design, ideal for retail applications, die-cast aluminium body, passive cooling heatsink. Beam angle: 38°, color temperature: 4000K, total system power: 35W, total fixture output: 3616 lm, LOR: 100%, colour rendering: Ra: 90 typical, LED Chromaticity: 3 step MacAdam ellipse, IR/UV free light source without heat radiation, operating voltage: 220-240V / 50-60Hz, drive current: 900mA, electronic driver, non-dimmable, power factor: 0.93, electrical protection: Class II, Global Track 3 Phase adapter suitable for Global trac 3-circuit tracks, ingress protection rating: IP20, suitable for internal environment only, horizontal rotation: 355°, vertical tilt: 90°, dimensions: Ø113x164x240, weight: 1.368kg.

Atouts techniques

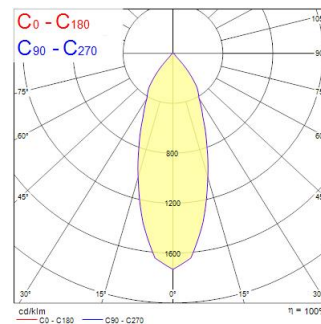
Dimensions (mm)



Photométrie

Distance [m]	Cone diameter [m]	Beam diameter [m]	Illuminance [lx]
0.5	0.34	Ø171	2628
1.0	0.68	Ø342	656
1.5	1.02	Ø513	288
2.0	1.35	Ø684	162
2.5	1.69	Ø855	108
3.0	2.03	Ø1026	72

Distance [m] Cone diameter [m] Illuminance [lx]
 — C0 - C180 (Half beam angle: 37.4°)



START Track Spot L 3600lm 940 MB BLK

Code article 0004902

SYLVANIA

Données générales

Nom du produit	START Track Spot L 3600lm 940 MB BLK
Technologie	LED
Cap/Base	N/A
Housing	Aluminium
Montage	Track mounting
Fixture rating	Enclosed
General application	Retail
Operating temperature range (°C)	1°C...+25°C
Performance ambient temperature Tq (°C)	25
ETIM Class	EC001744
Numéro virtuel FI	4274437
Numéro virtuel SE	7401843
Warranty	5 ans

Données optiques

Fixture luminous flux (lm)	3616
Luminaire efficacy (lm/W)	103
LOR (%)	100
Température de couleur (K)	4000
Couleur de lumière	Neutral White
IRC (Ra)	90
Colour Variation Initial (SDCM)	SDCM3
Beam Angle (°)	38
Photobiological Risk Group	RG1

Caractéristiques électriques

Consommation électrique totale (W)	35
Actuel (A)	0.15
Primary Supply/Product voltage - min (V)	230
Primary Supply/Product voltage - max (V)	240
Lamp power factor	0.93
THD (at 230 V, 50 Hz, full load, at 100% dimming level) ≤ xx.x %	15.1
Electrical protection	Class II
Control gear required	Yes
Type d'appareillage	Electronic ballast
Montage de l'appareillage	Integral
Dimmable	No
Dimming method	N/A
Drive current (mA)	900
Courant d'appel (A)	10
Inrush Duration (µs)	100
Energy Efficiency Class (A->G) of contained light source	E
Nominal Frequency (Hz)	50/60Hz
LED Flickering Rate	Ultra low (5% or less)
Max. products per 10A C Breaker	35
Max. products per 13A C Breaker	50
Max. products per 16A C Breaker	65
Max. products per 20A C Breaker	75
Max. products per 10A B Breaker	28
Max. products per 13A B Breaker	40
Max. products per 16A B Breaker	52
Max. products per 20A B Breaker	60

START Track Spot L 3600lm 940 MB BLK

Code article 0004902

SYLVANIA

Durée de vie

Lifespan L70 B50	100000
Lifespan L70 B20	100000
Lifespan L70 B10	100000
Lifespan L80 B50	100000
Lifespan L80 B20	100000
Lifespan L80 B10	79500
Lifespan L90 B50	69500
Lifespan L90 B20	54500
Lifespan L90 B10	47500

Données physiques

Housing colour	RAL 9005 - Jet black
IP rating	IP20
IK rating	IK02
Diffuser finish	Transparent
Diffuser material	PC Polycarbonate
Finition réflecteur	High-gloss
Largeur (mm)	164
Nominal Product Height (mm)	240
Nominal Product Diameter (mm)	113
Poids (kg)	1.368

Emballage

Product EAN number	5410288049021
Longueur simple de l'emballage (cm)	25.0
Largeur simple de l'emballage (cm)	19.5
Packaging single depth (cm)	20.0
DUN14 (inner)	05410288049021
Units per outer package	1
Packaging outer length / height (cm)	25.0
Packaging outer width (cm)	19.5
Packaging outer depth (cm)	20.0

Sécurité

Glow Wire Test (°C)	850
Condition de fonctionnement optimal (° C)	1-25
Utilisation pour applications sèches uniquement	Yes