

START Track Spot L DALI 3600lm 940 MB BLK

Code article 0004951

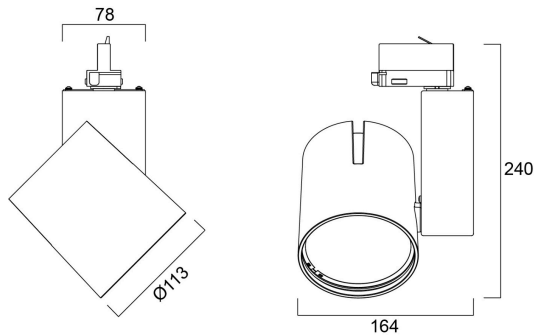
SYLVANIA



Spotlight for track mounting, decorative heat sink, black (RAL 9005) housing, equipped with Global GAC69 Pulse Adaptor, 3616 Lm, 36 W, 100 Lm/W, 4000 K, drive current: 900 mA, CRI 90, 38° beam angle, DALI dimmable, IP20, IK02, 50000 hrs, (H x W) 240 x 164 mm.

Atouts techniques

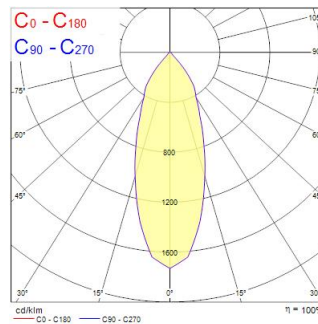
Dimensions (mm)



Photométrie

Distance [m]	Cone diameter [m]	Beam diameter [m]	Illuminance [lx]
0.5	0.34	Ø0.71	2025
		Ø1.00	1680
1.0	0.68	Ø1.37	826
		Ø1.74	364
1.5	1.02	Ø1.81	271
		Ø2.18	152
2.0	1.35	Ø2.25	154
		Ø2.62	89
2.5	1.69	Ø2.70	101
		Ø3.07	49
3.0	2.03	Ø2.77	66
		Ø3.14	29

Distance [m] Cone diameter [m] Illuminance [lx]
C0 - C180 (Half beam angle: 37.4°)



START Track Spot L DALI 3600lm 940 MB BLK

Code article 0004951

SYLVANIA

Données générales

Nom du produit	START Track Spot L DALI 3600lm 940 MB BLK
Technologie	LED
Cap/Base	N/A
Housing	Aluminium
Montage	Track mounting
Fixture rating	Enclosed
General application	Retail
Operating temperature range (°C)	1°C...+25°C
Performance ambient temperature Tq (°C)	25
ETIM Class	EC001744
Numéro virtuel FI	4274488
Numéro virtuel SE	7426206
Warranty	5 ans

Données optiques

Fixture luminous flux (lm)	3616
Luminaire efficacy (lm/W)	100
LOR (%)	100
Température de couleur (K)	4000
Couleur de lumière	Neutral White
IRC (Ra)	90
Colour Variation Initial (SDCM)	SDCM3
Beam Angle (°)	38
Photobiological Risk Group	RG1

Caractéristiques électriques

Consommation électrique totale (W)	36
Actuel (A)	0.15
Primary Supply/Product voltage - min (V)	230
Primary Supply/Product voltage - max (V)	240
Lamp power factor	0.95
Electrical protection	Class II
Control gear required	Yes
Type d'appareillage	Electronic ballast
Montage de l'appareillage	Integral
Dimmable	Yes
Dimming method	DALI
Minimum dimming level (%)	1
Drive current (mA)	900
Courant d'appel (A)	20
Inrush Duration (µs)	50
Energy Efficiency Class (A->G) of contained light source	E
Nominal Frequency (Hz)	50/60Hz
LED Flickering Rate	Ultra low (5% or less)
Max. products per 10A C Breaker	33
Max. products per 16A C Breaker	55
Max. products per 10A B Breaker	33
Max. products per 16A B Breaker	55

Durée de vie

Lifespan L70 B50	100000
Lifespan L70 B20	100000
Lifespan L70 B10	100000
Lifespan L80 B50	100000
Lifespan L80 B20	100000
Lifespan L80 B10	79500
Lifespan L90 B50	69500
Lifespan L90 B20	54500
Lifespan L90 B10	47500

START Track Spot L DALI 3600lm 940 MB BLK

Code article 0004951

SYLVANIA

Données physiques

Housing colour	RAL 9005 - Jet black
IP rating	IP20
IK rating	IK02
Diffuser finish	Transparent
Diffuser material	PC Polycarbonate
Finition réflecteur	High-gloss
Largeur (mm)	164
Nominal Product Height (mm)	240
Poids (kg)	1.368

Emballage

Product EAN number	5410288049519
Longueur simple de l'emballage (cm)	25.0
Largeur simple de l'emballage (cm)	19.5
Packaging single depth (cm)	20.0
DUN14 (inner)	05410288049519
Units per outer package	1
Packaging outer length / height (cm)	25.0
Packaging outer width (cm)	19.5
Packaging outer depth (cm)	20.0

Sécurité

Glow Wire Test (°C)	850
Condition de fonctionnement optimal (° C)	1-25
Utilisation pour applications sèches uniquement	Yes