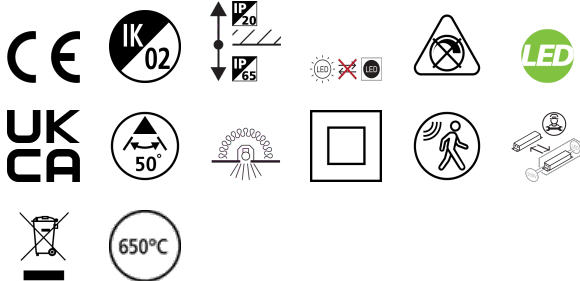


START Spot IP65 PIR 670-1050LM 3CCT WHT

Code article 0005191

SYLVANIA

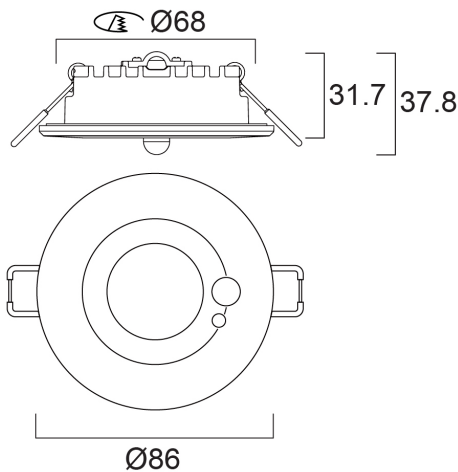
STARTTM



START Spot IP65 PIR 670-1050LM 3CCT WHT is a universal spotlight offering multiple PIR sensor setting options and three adjustable colour temperature options (3 CCT 2700K-3000K-4000K) for easy customization to suit the need of the user. White finish, fixed, 2 wattage switch on the driver (6W-10W) as standard with 670lm & 1050lm for 4000K, 50° degree beam angle, low profile 31.7mm recessed depth, IP65 from the front, IK02, loop-in/loop-out terminals for fast wiring, 86mm bezel diameter, 68mm cutout. Additional black non PIR or PIR bezel can be ordered as accessory.

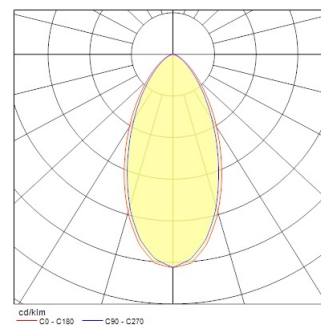
Atouts techniques

Dimensions (mm)



Photométrie

Distance [m]	Cone diameter [m]	Beam diameter [m]	Beam diameter [m]	Illuminance [lx]
0.5	0.46	0.50	0.50	430
				150
1.0	0.92	0.96	0.96	107
				38
1.5	1.37	1.45	1.45	47
				17
2.0	1.83	1.99	1.99	28
				11
2.5	2.29	2.46	2.46	17
				8
3.0	2.75	2.98	2.98	10
				5



START Spot IP65 PIR 670-1050LM 3CCT WHT

Code article 0005191

SYLVANIA

Données générales

Nom du produit	START Spot IP65 PIR 670-1050LM 3CCT WHT
Technologie	LED
Cap/Base	N/A
Housing	Aluminium
Montage	Ceiling recessed mounting
Built in presence detector	PIR
General application	Residential & Consumer, Retail
Operating temperature range (°C)	-20°C...+35°C
Virtual assistant compatibility	N/A
ETIM Class	EC001744
Numéro virtuel FI	4279629
Warranty	5 ans

Données optiques

Fixture luminous flux (lm)	1050
Luminaire efficacy (lm/W)	110
Couleur de lumière	Warm White or Neutral White
IRC (Ra)	80
Colour Variation Initial (SDCM)	SDCM6
Beam Angle (°)	50
Distribution type	Symmetric
Photobiological Risk Group	RG1

Caractéristiques électriques

Emergency type	
Consommation électrique totale (W)	10
Actuel (A)	0.043
Primary Supply/Product voltage - min (V)	220.0
Primary Supply/Product voltage - max (V)	240.0
Lamp power factor	0.85
THD (at 230 V, 50 Hz, full load, at 100% dimming level) ≤ xx.x %	50
Electrical protection	Class II
Type d'appareillage	LED driver constant current
Dimmable	No
Dimming method	N/A
Drive current (mA)	430
Courant d'appel (A)	2
Inrush Duration (µs)	200
Energy Efficiency Class (A->G) of contained light source	D
Nominal Frequency (Hz)	50/60Hz
LED Flickering Rate	Ultra low (5% or less)
Max. products per 10A C Breaker	80
Max. products per 13A C Breaker	104
Max. products per 16A C Breaker	128
Max. products per 20A C Breaker	160
Max. products per 10A B Breaker	49
Max. products per 13A B Breaker	64
Max. products per 16A B Breaker	79
Max. products per 20A B Breaker	99

Durée de vie

Lifespan L70 B50	90000
Lifespan L80 B20	71000
Lifespan L90 B10	32000

START Spot IP65 PIR 670-1050LM 3CCT WHT

Code article 0005191

SYLVANIA

Données physiques

Housing colour	RAL 9003 - Signal white
IP rating	IP65/20
IK rating	IK02
Diffuser finish	Diffuse
Diffuser material	PC Polycarbonate
Finition réflecteur	Not Applicable
Nominal Product Height (mm)	32
Nominal Product Diameter (mm)	86
Poids (kg)	0.237

Emballage

Product EAN number	5410288051918
Longueur simple de l'emballage (cm)	9.0
Largeur simple de l'emballage (cm)	6.5
Packaging single depth (cm)	13.0
DUN14 (inner)	15410288051915
Units per outer package	40
Packaging outer length / height (cm)	38.0
Packaging outer width (cm)	34.0
Packaging outer depth (cm)	29.0

Sécurité

Glow Wire Test (°C)	650
Condition de fonctionnement optimal (° C)	-20-35