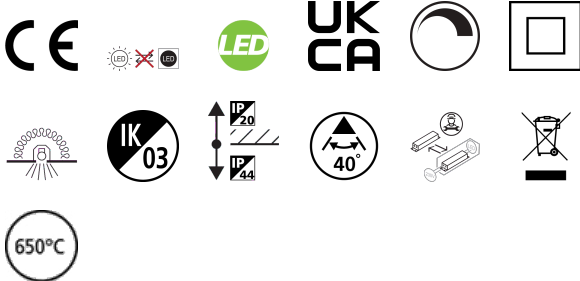


Tucana IP44 900LM 3CCT DALI WHT

Code article 0005214

SYLVANIA

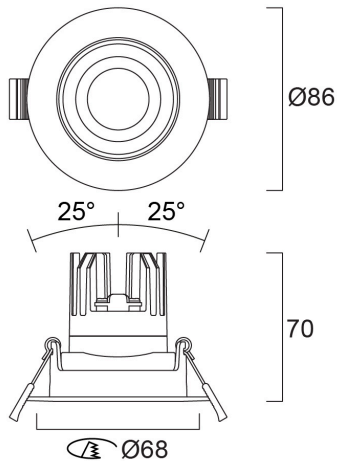
PROTM



TUCANA IP44 900LM 3CCT DALI WHT is a universal spotlight offering three adjustable colour temperature options (3 CCT 2700K / 3000K / 4000K) for easy customization to suit the need of the user. White bezel finish, adjustable, DALI driver with switch dim option, 40° degree beam angle, IP44 from the front, loop-in/loop-out terminals for fast wiring, 68mm cutout, coverable by insulation material.

Atouts techniques

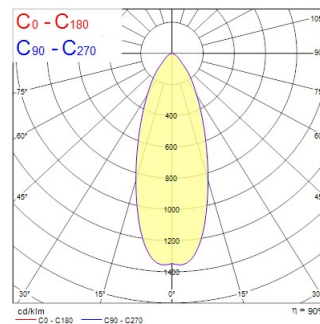
Dimensions (mm)



Photométrie

Distance [m]	Cone diameter [m]	E ₀ ¹ [lx]	E ₀ ² [lx]	E ₀ ³ [lx]
0.5	0.35	1071	1339	2054
1.0	0.70	535	669	1027
1.5	1.05	357	446	685
2.0	1.40	268	334	509
2.5	1.75	214	267	407
3.0	2.10	178	222	339

Distance [m] Cone diameter [m] Illuminance [lx]
 — C0 - C180 (Half beam angle: 36.6°)



Tucana IP44 900LM 3CCT DALI WHT

Code article 0005214

SYLVANIA

Données générales

Nom du produit	Tucana IP44 900LM 3CCT DALI WHT
Technologie	LED
Cap/Base	N/A
Housing	Aluminium
Montage	Ceiling recessed mounting
Built in presence detector	NONE
General application	Hospitality, Retail
Operating temperature range (°C)	0°C...+35°C
Virtual assistant compatibility	N/A
ETIM Class	EC001744
Numéro virtuel FI	4170750
Warranty	5 ans

Données optiques

Fixture luminous flux (lm)	900
Luminaire efficacy (lm/W)	105
Couleur de lumière	Warm White or Neutral White
IRC (Ra)	90
Colour Variation Initial (SDCM)	SDCM3
Beam Angle (°)	40
Distribution type	Symmetric
Photobiological Risk Group	RG1

Caractéristiques électriques

Emergency type	
Consommation électrique totale (W)	8.5
Primary Supply/Product voltage - min (V)	220.0
Primary Supply/Product voltage - max (V)	240.0
Lamp power factor	0.85
THD (at 230 V, 50 Hz, full load, at 100% dimming level) ≤ xx.x %	10
Electrical protection	Class II
Type d'appareillage	LED driver constant current
Dimmable	Yes
Dimming method	DALI
Drive current (mA)	200
Courant d'appel (A)	8
Inrush Duration (µs)	36
Energy Efficiency Class (A->G) of contained light source	D
Nominal Frequency (Hz)	50/60Hz
LED Flickering Rate	Ultra low (5% or less)
Max. products per 10A C Breaker	131
Max. products per 13A C Breaker	170
Max. products per 16A C Breaker	210
Max. products per 20A C Breaker	262
Max. products per 10A B Breaker	131
Max. products per 13A B Breaker	170
Max. products per 16A B Breaker	210
Max. products per 20A B Breaker	262
Connectable conductor cross section - Min (mm ²)	0.75
Connectable conductor cross section - Max (mm ²)	1.5

Tucana IP44 900LM 3CCT DALI WHT

Code article 0005214

SYLVANIA

Durée de vie

Lifespan L70 B50	155000
Lifespan L80 B50	98000
Lifespan L80 B20	84000
Lifespan L90 B50	48000

Données physiques

Housing colour	RAL 9016 - Traffic white / Bezel
IP rating	IP44/20
IK rating	IK03
Diffuser finish	Transparent
Diffuser material	Other, PC Polycarbonate
Finition réflecteur	Not Applicable
Nominal Product Height (mm)	70
Nominal Product Diameter (mm)	86
Poids (kg)	0.3

Emballage

Product EAN number	5410288052144
Longueur simple de l'emballage (cm)	15.5
Largeur simple de l'emballage (cm)	13.1
Packaging single depth (cm)	10.0
DUN14 (inner)	15410288052141
Units per outer package	18
Packaging outer length / height (cm)	32.6
Packaging outer width (cm)	41.1
Packaging outer depth (cm)	31.8

Sécurité

Glow Wire Test (°C)	650
Condition de fonctionnement optimal (° C)	0 °C-35