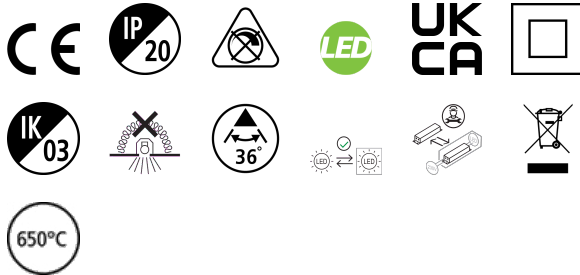


SYLSPOT KIT ROUND 345LM 840 ADJ IP20 CHR 3-PACK

Code article 0005735

SYLVANIA

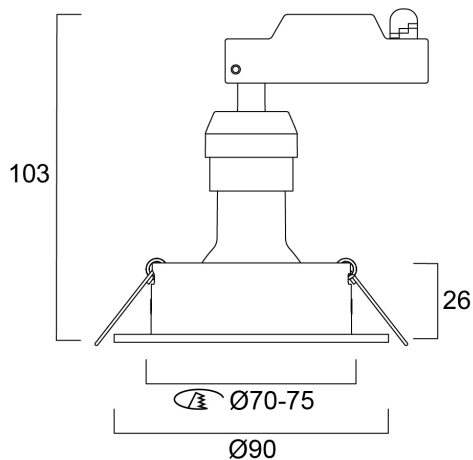
YourHome™



Recessed spotlight Kit with RefLED GU10 LED spotlight lamp Ø50mm. Polycarbonate body, round bezel ring in chrome finish, vertical tilt 25°, IP20 degree of protection, class II. Lumen output 345lm, CCT 4000K, beam angle 36°, power 4,5W, efficacy 77 lm/W, lifetime 15.000h. Outer dimensions: Ø80x90mm, cut-out Ø68-76mm. Suitable for internal environment only and for LED lamps only. Pack of 3 pieces.

Atouts techniques

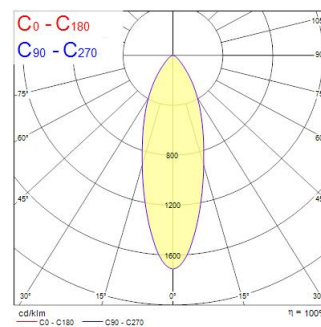
Dimensions (mm)



Photométrie

Distance [m]	Cone diameter [m]	Beam diameter [m]	Beam diameter [in]	Illuminance [lx]
0.5	0.30	Ø171	6.73"	2394
1.0	0.60	Ø171	6.73"	591
1.5	0.90	Ø171	6.73"	263
2.0	1.20	Ø171	6.73"	148
2.5	1.50	Ø171	6.73"	96
3.0	1.80	Ø171	6.73"	66

Distance [m] Cone diameter [m] Illuminance [lx]
C0 - C180 (Half beam angle: 33.4°)



SYLSPOT KIT ROUND 345LM 840 ADJ IP20 CHR 3-PACK

Code article 0005735

SYLVANIA

Données générales

Nom du produit	SYLSPOT KIT ROUND 345LM 840 ADJ IP20 CHR 3-PACK
Technologie	LED
Cap/Base	N/A
Housing	PC Polycarbonate
Montage	Ceiling recessed mounting
Built in presence detector	NONE
Environment	Indoor
General application	Residential & Consumer
Operating temperature range (°C)	-10°C...+40°C
Virtual assistant compatibility	N/A
ETIM Class	EC001744
Warranty	3 ans

Données optiques

Fixture luminous flux (lm)	345
Luminaire efficacy (lm/W)	77
Température de couleur (K)	4000
Colour Code	840
Couleur de lumière	Neutral White
IRC (Ra)	80
Colour Variation Initial (SDCM)	SDCM6
Beam Angle (°)	36
Distribution type	Symmetric
Photobiological Risk Group	RG1

Caractéristiques électriques

Consommation électrique totale (W)	4.5
Primary Supply/Product voltage - min (V)	220
Primary Supply/Product voltage - max (V)	240
Lamp power factor	0.9
THD (at 230 V, 50 Hz, full load, at 100% dimming level) ≤ xx.x %	155
Electrical protection	Class II
Type d'appareillage	LED driver constant current
Dimmable	No
Dimming method	N/A
Courant d'appel (A)	10
Inrush Duration (µs)	150
Energy Efficiency Class (A->G) of contained light source	G
Nominal Frequency (Hz)	50/60Hz
Max. products per 10A C Breaker	100
Max. products per 13A C Breaker	130
Max. products per 16A C Breaker	160
Max. products per 20A C Breaker	200
Max. products per 16A B Breaker	160
Connectable conductor cross section - Min (mm ²)	0.75
Connectable conductor cross section - Max (mm ²)	1

Durée de vie

Lifespan L70 B50

15000

SYLSPOT KIT ROUND 345LM 840 ADJ IP20 CHR 3-PACK

Code article 0005735

SYLVANIA

Données physiques

Housing colour	Chrome
IP rating	IP20
IK rating	IK03
Diffuser finish	Other
Diffuser material	None
Finition réflecteur	Not Applicable
Nominal Product Height (mm)	85
Nominal Product Diameter (mm)	90
Poids (kg)	0.27

Emballage

Product EAN number	5410288057354
Longueur simple de l'emballage (cm)	9.0
Largeur simple de l'emballage (cm)	7.5
Packaging single depth (cm)	30.0
DUN14 (inner)	15410288057351
Units per outer package	16
Packaging outer length / height (cm)	38.0
Packaging outer width (cm)	30.0
Packaging outer depth (cm)	37.5

Sécurité

Glow Wire Test (°C)	650
Condition de fonctionnement optimal (° C)	-10-40