

ToLEDo RT Candle V5 CL DIM 470LM 827 B22 SL

Code article 0029343

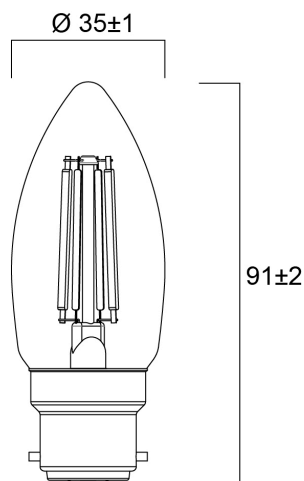
SYLVANIA



Perfect for decorative and general lighting applications and creates a warm ambience similar to traditional lamps. The versatile ToLEDo Retro Candle range is the ideal replacement for halogen and incandescent lamps and perfect for chandeliers and decorative applications. Same look, size and functionality as incandescent lamps. Omni-directional light distribution. Gives same sparkling light effect as the incandescent lamp. Dimensionally identical to incandescent lamps - fits all fixtures. Environment-friendly - no mercury and lower CO2 emissions. Dimmable with approved dimmers.

Atouts techniques

Dimensions (mm)



Photométrie

ToLEDo RT Candle V5 CL DIM 470LM 827 B22 SL

Code article 0029343

SYLVANIA

Données générales

Nom du produit	ToLEDo RT Candle V5 CL DIM 470LM 827 B22 SL
Technologie	LED
Puissance (nominale) (W)	4.5
Cap/Base	B22
Fixture rating	Open
General application	Hospitality, Residential & Consumer
Operating temperature range (°C)	-10°C...+45°C
Performance ambient temperature Tq (°C)	25
ETIM Class	EC001959
Warranty	3 ans

Données optiques

Useful luminous flux (Φ_{use})	470
Flux lumineux utile (nominal) (lm)	470
Température de couleur (K)	2700
Couleur de lumière	Homelight
IRC (Ra)	80
Colour Variation Initial (SDCM)	SDCM6
Photobiological Risk Group	RG1
Maintien du flux à la fin de la durée de vie nominale (lm)	70

Caractéristiques électriques

Power consumption (W)	4.5
Wattage (W)	4.5
Equivalent watt (W)	40
Primary Supply/Product voltage - min (V)	220
Primary Supply/Product voltage - max (V)	240
Control gear required	No
No. Of switching cycles before premature failures	>50000
Dimmable	Yes
Courant d'appel (A)	1.2
Inrush Duration (μ s)	520
Lamp Energy Label (class)	F
Nominal Frequency (Hz)	50Hz
Max. products per 16A C Breaker	133
Max. products per 16A B Breaker	66

Durée de vie

Lifespan L70 B50	15000
Average life (Nominal) (h)	15000
Durée de vie moyenne (nominale) (h)	15000

Données physiques

Longueur (mm)	91
Nominal Product Diameter (mm)	35
Poids (kg)	0.021

ToLEDo RT Candle V5 CL DIM 470LM 827 B22 SL

Code article 0029343

SYLVANIA

Emballage

Product EAN number	5410288293431
Longueur simple de l'emballage (cm)	11.0
Largeur simple de l'emballage (cm)	4.5
Packaging single depth (cm)	4.5
DUN14 (inner)	15410288293438
Units per outer package	6
Packaging outer length / height (cm)	14.3
Packaging outer width (cm)	9.7
Packaging outer depth (cm)	12.0

Sécurité

Condition de fonctionnement optimal (° C)	-10-45
Consignes de nettoyage en cas de bris	Not applicable
Lampe à objectif spécial	No
Utilisation pour applications sèches uniquement	Yes
Ne convient pas à l'éclairage résidentiel	Yes
Safety message	Not Suitable for totally enclosed fixtures