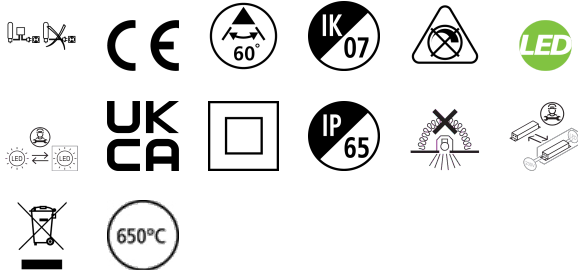


# Insaver Slim UGR19 IP65 150 1075lm 840

Code article 0030451

**SYLVANIA**

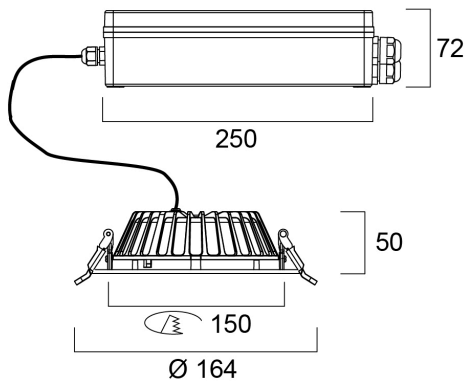
**PRO**<sup>TM</sup>



Insaver Slim is a ceiling recessed LED downlight (IP65 from the front and back), Die-cast aluminium body, loop in loop out connector for quick installation, Non dimmable LED driver, 9W; 1075lm; 119lm/W; 4000K; UGR <19 with shallow product depth 50mm. IK07 for the fixture, IK03 for the IP driver box. When using with EM kit (0046600& 0046601), protection IP65 kept only from the front. Meets TP(a) requirements.

## Atouts techniques

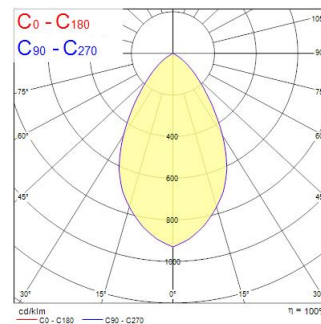
### Dimensions (mm)



### Photométrie

Distance [m]	Cone diameter [m]	Beam angle [°]	Beam diameter [m]	Illuminance [lx]
0.5	0.60	61.8°	0.60	3915
1.0	1.20	61.8°	1.20	979
1.5	1.80	61.8°	1.80	436
2.0	2.39	61.8°	2.39	245
2.5	2.99	61.8°	2.99	151
3.0	3.58	61.8°	3.58	109

Distance [m] Cone diameter [m] Illuminance [lx]  
 — C0 - C180 (Half beam angle: 61.8°)



# Insaver Slim UGR19 IP65 150 1075lm 840

Code article 0030451

**SYLVANIA**

## Données générales

Nom du produit	Insaver Slim UGR19 IP65 150 1075lm 840
Technologie	LED
Cap/Base	N/A
Housing	Aluminium
Montage	Ceiling recessed mounting
Built in presence detector	NONE
General application	Hospitality, Office, Retail
Operating temperature range (°C)	-20°C...+40°C
Virtual assistant compatibility	N/A
ETIM Class	EC001744
Numéro virtuel FI	4579582
Warranty	5 ans

## Données optiques

Fixture luminous flux (lm)	1075
Luminaire efficacy (lm/W)	119
Température de couleur (K)	4000
Couleur de lumière	Neutral White
IRC (Ra)	80
Colour Variation Initial (SDCM)	SDCM3
Beam Angle (°)	60
Distribution type	Symmetric
Glare control	< 19
Photobiological Risk Group	RG1

## Caractéristiques électriques

Consommation électrique totale (W)	9
Lamp power factor	0.9
THD (at 230 V, 50 Hz, full load, at 100% dimming level) $\leq$ xx.x %	20
Electrical protection	Class II
Control gear required	Yes
Type d'appareillage	LED driver constant current
No. Of switching cycles before premature failures	>100000
Dimmable	No
Dimming method	N/A
Drive current (mA)	290
Courant d'appel (A)	7.48
Inrush Duration ( $\mu$ s)	160
Energy Efficiency Class (A->G) of contained light source	D
Nominal Frequency (Hz)	50/60Hz
LED Flickering Rate	Ultra low (5% or less)
Max. products per 10A C Breaker	56
Max. products per 13A C Breaker	70
Max. products per 16A C Breaker	88
Max. products per 20A C Breaker	110
Max. products per 16A B Breaker	52
Connectable conductor cross section - Min (mm <sup>2</sup> )	0.52
Connectable conductor cross section - Max (mm <sup>2</sup> )	1.52

## Durée de vie

Lifespan L70 B50	90000
Lifespan L80 B20	90000
Lifespan L90 B10	39000

# Insaver Slim UGR19 IP65 150 1075lm 840

Code article 0030451

**SYLVANIA**

## Données physiques

Housing colour	RAL 9003 - Signal white
IP rating	IP65
IK rating	IK07
Diffuser finish	Other
Diffuser material	None
Finition réflecteur	Not Applicable
Nominal Product Height (mm)	70
Nominal Product Diameter (mm)	164
Poids (kg)	0.811
Recessed Depth (mm)	150

## Emballage

Product EAN number	5410288304519
Longueur simple de l'emballage (cm)	33.0
Largeur simple de l'emballage (cm)	26.5
Packaging single depth (cm)	11.0
DUN14 (inner)	15410288304516
Units per outer package	8
Packaging outer length / height (cm)	55.0
Packaging outer width (cm)	34.5
Packaging outer depth (cm)	46.0

## Sécurité

Glow Wire Test (°C)	650
Condition de fonctionnement optimal (° C)	-20-40