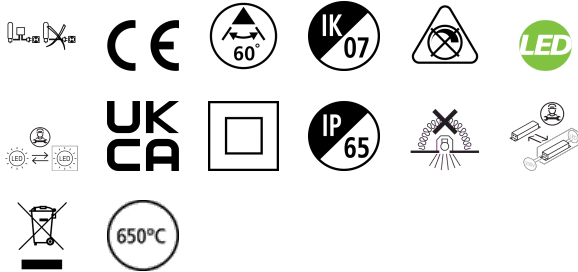


# Insaver Slim UGR19 IP65 205 2400lm 840

Code article 0030457

**SYLVANIA**

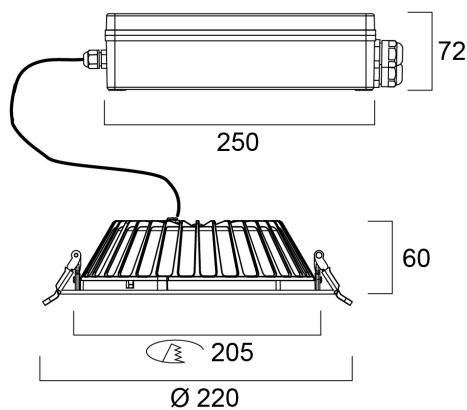
**PRO**<sup>TM</sup>



Insaver Slim is a ceiling recessed LED downlight (IP65 from the front and back), Die-cast aluminium body, loop in loop out connector for quick installation, Non dimmable LED driver, 20W; 2400lm; 120lm/W; 4000K; UGR <19 with shallow product depth 60mm. IK07 for the fixture, IK03 for the IP driver box. When using with EM kit (0046600& 0046601), protection IP65 kept only from the front. Meets TP(a) requirements.

## Atouts techniques

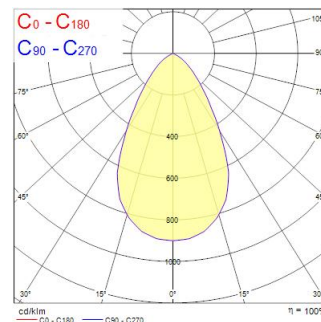
### Dimensions (mm)



### Photométrie

Distance [m]	Cone diameter [m]	Beam diameter [m]	Illuminance [lx]
0.5	0.59	0.59	8596
1.0	1.18	1.18	2149
1.5	1.77	1.77	955
2.0	2.36	2.36	587
2.5	2.95	2.95	364
3.0	3.53	3.53	239

Distance [m] Cone diameter [m] Beam diameter [m] Illuminance [lx]  
 C0 - C180 (Half beam angle: 61.0°)



# Insaver Slim UGR19 IP65 205 2400lm 840

Code article 0030457

**SYLVANIA**

## Données générales

Nom du produit	Insaver Slim UGR19 IP65 205 2400lm 840
Technologie	LED
Cap/Base	N/A
Housing	Aluminium
Montage	Ceiling recessed mounting
Built in presence detector	NONE
General application	Hospitality, Office, Retail
Operating temperature range (°C)	-20°C...+40°C
Virtual assistant compatibility	N/A
ETIM Class	EC001744
Numéro virtuel FI	4579583
Warranty	5 ans

## Données optiques

Fixture luminous flux (lm)	2400
Luminaire efficacy (lm/W)	120
Température de couleur (K)	4000
Couleur de lumière	Neutral White
IRC (Ra)	80
Colour Variation Initial (SDCM)	SDCM3
Beam Angle (°)	60
Distribution type	Symmetric
Glare control	< 19
Photobiological Risk Group	RG1

## Caractéristiques électriques

Consommation électrique totale (W)	20
Primary Supply/Product voltage - min (V)	220
Primary Supply/Product voltage - max (V)	240
Lamp power factor	0.9
THD (at 230 V, 50 Hz, full load, at 100% dimming level) ≤ xx.x %	20
Electrical protection	Class II
Control gear required	Yes
Type d'appareillage	LED driver constant current
No. Of switching cycles before premature failures	>100000
Dimmable	No
Dimming method	N/A
Drive current (mA)	600
Courant d'appel (A)	17.2
Inrush Duration (µs)	200
Energy Efficiency Class (A->G) of contained light source	D
Nominal Frequency (Hz)	50/60Hz
LED Flickering Rate	Ultra low (5% or less)
Max. products per 10A C Breaker	20
Max. products per 13A C Breaker	26
Max. products per 16A C Breaker	32
Max. products per 20A C Breaker	40
Max. products per 16A B Breaker	19
Connectable conductor cross section - Min (mm <sup>2</sup> )	0.58
Connectable conductor cross section - Max (mm <sup>2</sup> )	1.58

## Durée de vie

Lifespan L70 B50	90000
Lifespan L80 B20	90000
Lifespan L90 B10	39000

# Insaver Slim UGR19 IP65 205 2400lm 840

Code article 0030457

**SYLVANIA**

## Données physiques

Housing colour	RAL 9003 - Signal white
IP rating	IP65
IK rating	IK07
Diffuser finish	Other
Diffuser material	None
Finition réflecteur	Not Applicable
Nominal Product Height (mm)	70
Nominal Product Diameter (mm)	220
Built-in diameter (mm)	205
Poids (kg)	1.064
Recessed Depth (mm)	150

## Emballage

Product EAN number	5410288304571
Longueur simple de l'emballage (cm)	33.0
Largeur simple de l'emballage (cm)	32.5
Packaging single depth (cm)	11.0
DUN14 (inner)	15410288304578
Units per outer package	8
Packaging outer length / height (cm)	67.0
Packaging outer width (cm)	34.5
Packaging outer depth (cm)	46.0

## Sécurité

Glow Wire Test (°C)	650
Condition de fonctionnement optimal (° C)	-20-40